

По вопросам продаж и поддержки обращайтесь:

**Алматы** (7273)495-231  
**Ангарск** (3955)60-70-56  
**Архангельск** (8182)63-90-72  
**Астрахань** (8512)99-46-04  
**Барнаул** (3852)73-04-60  
**Белгород** (4722)40-23-64  
**Благовещенск** (4162)22-76-07  
**Брянск** (4832)59-03-52  
**Владивосток** (423)249-28-31  
**Владикавказ** (8672)28-90-48  
**Владимир** (4922)49-43-18  
**Волгоград** (844)278-03-48  
**Вологда** (8172)26-41-59  
**Воронеж** (473)204-51-73  
**Екатеринбург** (343)384-55-89  
**Иваново** (4932)77-34-06  
**Ижевск** (3412)26-03-58  
**Иркутск** (395)279-98-46  
**Казань** (843)206-01-48

**Калининград** (4012)72-03-81  
**Калуга** (4842)92-23-67  
**Кемерово** (3842)65-04-62  
**Киров** (8332)68-02-04  
**Коломна** (4966)23-41-49  
**Кострома** (4942)77-07-48  
**Краснодар** (861)203-40-90  
**Красноярск** (391)204-63-61  
**Курган** (3522)50-90-47  
**Курск** (4712)77-13-04  
**Липецк** (4742)52-20-81  
**Магнитогорск** (3519)55-03-13  
**Москва** (495)268-04-70  
**Мурманск** (8152)59-64-93  
**Набережные Челны** (8552)20-53-41  
**Нижний Новгород** (831)429-08-12  
**Новокузнецк** (3843)20-46-81  
**Новосибирск** (383)227-86-73  
**Ноябрьск**(3496)41-32-12

**Омск** (3812)21-46-40  
**Орел** (4862)44-53-42  
**Оренбург** (3532)37-68-04  
**Пенза** (8412)22-31-16  
**Пермь** (342)205-81-47  
**Петрозаводск** (8142)55-98-37  
**Псков** (8112)59-10-37  
**Ростов-на-Дону** (863)308-18-15  
**Рязань** (4912)46-61-64  
**Самара** (846)206-03-16  
**Санкт-Петербург** (812)309-46-40  
**Саранск** (8342)22-96-24  
**Саратов** (845)249-38-78  
**Севастополь** (8692)22-31-93  
**Симферополь** (3652)67-13-56  
**Смоленск** (4812)29-41-54  
**Сочи** (862)225-72-31  
**Ставрополь** (8652)20-65-13  
**Сургут** (3462)77-98-35

**Сыктывкар** (8212)25-95-17  
**Тамбов** (4752)50-40-97  
**Тверь** (4822)63-31-35  
**Тольятти** (8482)63-91-07  
**Томск** (3822)98-41-53  
**Тула** (4872)33-79-87  
**Тюмень** (3452)66-21-18  
**Улан-Удэ** (3012)59-97-51  
**Ульяновск** (8422)24-23-59  
**Уфа** (347)229-48-12  
**Хабаровск** (4212)92-98-04  
**Чебоксары** (8352)28-53-07  
**Челябинск** (351)202-03-61  
**Череповец** (8202)49-02-64  
**Чита** (3022)38-34-83  
**Якутск** (4112)23-90-97  
**Ярославль** (4852)69-52-93

**Россия** +7(495)268-04-70

**Казахстан** +7(7172)727-132

**Киргизия** +996(312)96-26-47

сайт: [www.honeywell.nt-rt.ru](http://www.honeywell.nt-rt.ru) || эл. почта: [hwn@nt-rt.ru](mailto:hwn@nt-rt.ru)

## ИНДИКАТОРЫ ВЫНОСНЫЕ

Технические характеристики на

RMA803



### RMA803 SmartLine Remote Fieldbus Indicator Specification 34-ST-03-90, February 2022



#### Introduction

The Honeywell RMA803 is a Foundation Fieldbus remote indicator suitable for use with any Foundation Fieldbus measuring device. The RMA803 allows users to display up to eight (8) values and associated status from devices connected on the same H1 link. The RMA803 can be located anywhere along the Foundation Fieldbus H1 segment providing easy to access data for inaccessible measuring devices or control devices not equipped with displays. The RMA can also provide advanced calculation and or control capability via the use of the optional PID, signal characterizer, arithmetic, input selector, and integrator function blocks.

#### Best in Class Features:

- Foundation Fieldbus Interoperability tested
- Up to eight values can be displayed
- Full graphic display provides bar graph and trending
- Link master capability
- Wide variety of function blocks
- Remote Meter diagnostic displays
- Polarity insensitive electrical connections
- Modular design characteristics
- Dual compartment housing

#### Link Active Scheduler

Transmitters can perform as a backup Link Active Scheduler (LAS) and take over when the host is disconnected. Acting as a LAS, the device ensures scheduled data transfers typically used for the regular, cyclic transfer of control loop data between devices on the Fieldbus.

#### Number of Devices/Segment

Entity IS model: 6 devices/segment

#### Schedule Entries

30 maximum schedule entries

#### Number of VCR's: 50 max

**Compliance Testing:** Tested according to ITK 6.1.1



Figure 1 –RMA803 Remote Indicator

#### Software Download

Utilizes Class-3 of the Common Software Download procedure as per FF-883.

#### Integral Keypad

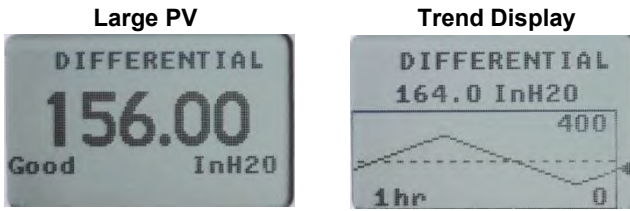
The RMA803 utilizes an integral three button keypad permitting limited display set-up and operation. Full set up capabilities are available using DD/DTM based configuration tools

#### Advanced Graphics LCD Display Features

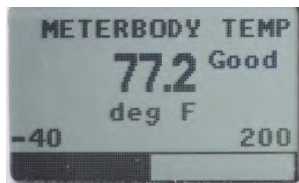
- 0, 90, 180, & 270 degree viewing position adjustments
- Standard and custom measurement units available.
- Up to eight display screens with 3 formats are possible
- (Large PV or PV with Bar Graph or PV with Trend Graph)
- Configurable screen rotation timing (4 to 30 sec)
- Multiple language capability. (EN, GE, FR, IT, SP, RU, TU, CH & JP)
- Ability to enable/disable screen rotation

## Display Screens & Diagnostics

The RMA803 graphics display is capable of up to 8 displays in any one of 3 formats (Large PV, Bar Graph, and Trend Display). Certain diagnostics for the RMA803 are also accessible (see the accessible parameter listing for details).



## Bar Graph



Similar to all other SmartLine products, the display rotation timing and contrast settings are user configurable.

## Function Blocks

Block Type	Block Description	Permanent Blocks	Supported Instances	Execution Timing
Resource Transducer	Resource	1	n/a	n/a
	LCD Transducer	1	n/a	n/a
	Diagnostic Transducer	1	n/a	n/a
Standard	MAO (Multiple A/O)	1	0	30 ms
Optional	PID	1	1	45 ms
	Signal Characterizer	1	3	30 ms
	Arithmetic	1	3	30 ms
	Input Selector	1	3	30 ms
	Integrator	1	0	30 ms

## Accessible Parameter Listing

Fieldbus Accessible Parameter Listing	Parameter Type		Available via	
	FF Device	RMA 803	RMA Display	RMA DD
<b>Display Advanced Diagnostics</b>				
Power Failure Tracking Counter	X	√	X	R
Electronics Temperature Tracking	X	√	X	R
Service Life Alarm	X	√	X	R
Time in Service	X	√	X	R
Critical & Non Critical Alarm Details	X	√	R	R
<b>Transmitter configuration</b>				
Tag ID	X	√	X	R/W
<b>Display Transmitter Information</b>				
PV (SV, TV, & QV)	√	X	R	R
PV Status	√	X	R	R
<b>Display SetUp/Configuration</b>				
LCD contrast	X	√	R/W	R/W
<b>Common SetUp</b>				
Language	X	√	R	R/W
Rotation time	X	√	R/W	R/W
Screen Rotation (Enable/Disable)	X	√	R/W	R/W
<b>Screen configuration</b>				
Screen format	X	√	R	R/W
PV selection	X	√	X	R/W
Display units	X	√	R	R/W
Custom units	X	√	R	R/W
Decimals	X	√	R	R/W
Custom Tag	X	√	R	R/W
Display Low limit	X	√	R	R/W
Display High limit	X	√	R	R/W
Trend Duration	X	√	R	R/W
<b>Display Product Information</b>				
<b>Display</b>				
Version number	X	√	R	R
Serial Number	X	√	R	R
Optional Blocks Enable/Disable	X	√	R	R
License Key	X	√	W	W
<b>Electronic Module</b>				
Firmware version	X	√	R	R
Protocol	X	√	R	R
Model Key	X	√	R	R

x- Not available, √ - Available, R – Read Only, R/W – Read/Write, W – White Only

## Specifications

Operating Conditions						
Parameter	Reference Condition		Operative Limits		Transportation and Storage	
	°C	°F	°C	°F	°C	°F
Ambient Temperature <sup>1</sup>	25±1	77±2	-40 to 70	-4 to 158	-30 to 80	-22 to 175
Humidity (%RH)	10 to 55		0 to 100		0 to 100	

**Note:** LCD display operating temperature is -20 to 70°C. At temperatures beyond this operating limit, display may not be readable but the loop will remain intact.

Physical/Functional Specifications	
Parameter	Description
Supply Voltage	9 - 32Vdc Terminal Voltage
Current Consumption	Steady State: 17.5mAdc Code Download: 28mA
Vibration:	IEC 60770-1 field or pipeline, vibration (10-2000 Hz: 0.21mm displacement / 3g max acceleration)
Electromagnetic Compatibility	IEC 61326-3-1
Lightning Protection Option	<b>Leakage Current:</b> 10uA max @ 42.4VDC 93C <b>Impulse rating:</b> 8/20uS      5000A (>10 strikes)      10000A (1 strike min.) 10/1000uS      200A (> 300 strikes)
Electronic Housing	Pure Polyester Powder Coated Low Copper (<0.4%)-Aluminum. Meets NEMA 4X, IP66, IP67 and NEMA 7 (explosion proof). All stainless steel housing is optional. Cover O-Ring material : Silicone
Wiring	Accepts up to 16 AWG (1.5 mm diameter).
Mounting Bracket	Carbon Steel (Zinc-Chromate plated) or 316 Stainless Steel. Suitable for wall or 2" (50mm) vertical or horizontal pipe mounting.
Electrical Connections	½"-14 NPT or M20
Dimensions	See <a href="#">Figure 2</a> , <a href="#">Figure 3</a> , <a href="#">Figure 4</a> and <a href="#">Figure 5</a>
Net Weight	2.5 lbs (1,1 kg) with aluminum housing

Performance	
Parameter	Description
Accuracy	Equivalent to connected devices
Display Resolution	Digital Readout: 7 digits, Bar Graph: 128 divisions or 0.78%, Trend: 2.5% of scale
Display Capacity	Up to eight (8) function block outputs
Standard Function Blocks (Execution Times)	Resource (n/a), Transducer (n/a), LCD (n/a), Diagnostic (n/a) & Multiple Analog Output (30ms)
Optional Function Blocks (Execution Times)	PID (45ms), Signal Characterizer (30ms), Arithmetic (30ms), Input Selector (30ms), Integrator (30ms),

## Mounting & Dimensional Drawings

Reference Dimensions: 

millimeters
inches

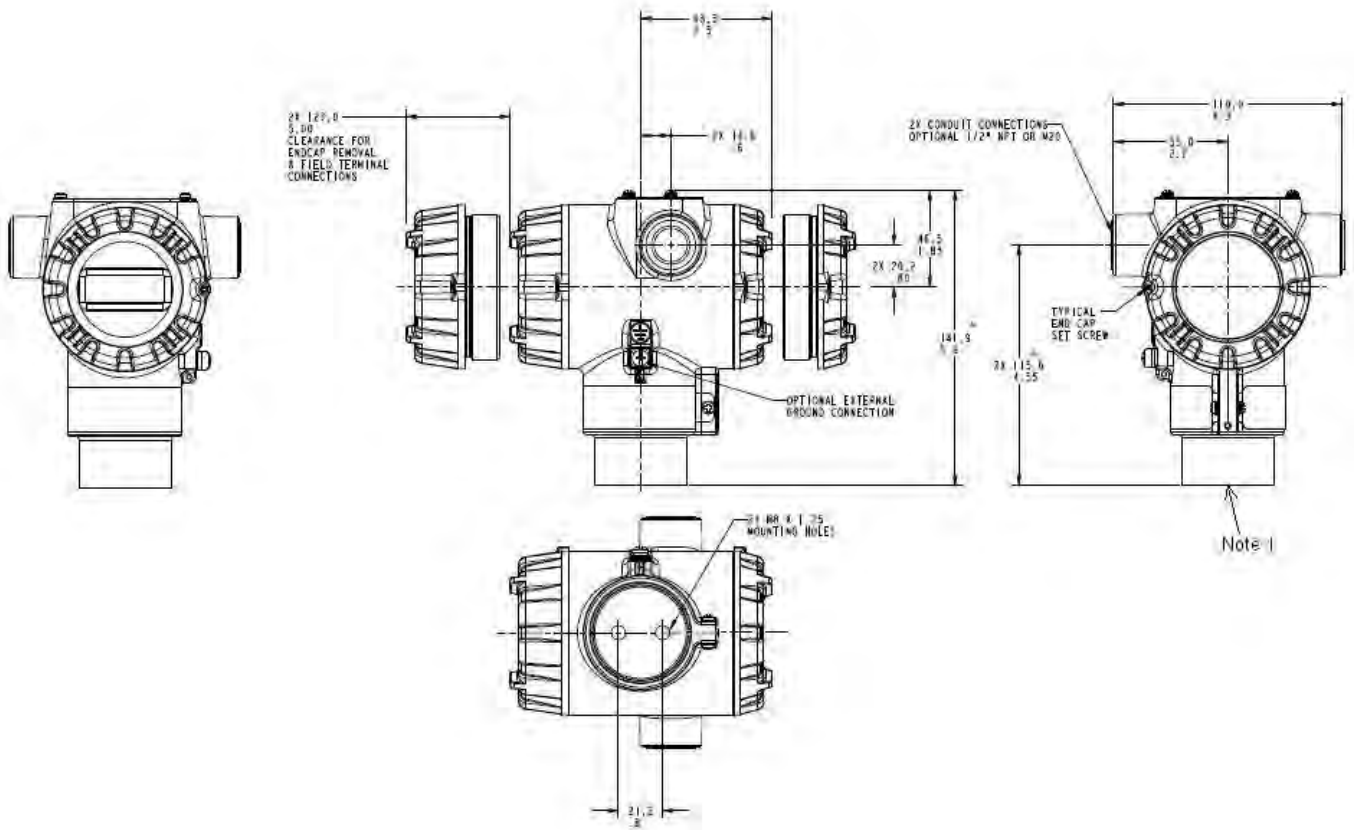


Figure 2 – RMA Dimensions

\* **Not 1:** Housing adapter may not be present on all transmitter models. If the housing adapter is not present, subtract 24,5mm (0,96 inches) from the dimension specified.

## Mounting & Dimensional Drawings

TRANSMITTER ENCLOSURE CAN BE ROTATED A TOTAL OF 90° FROM THE STANDARD MOUNTING POSITION

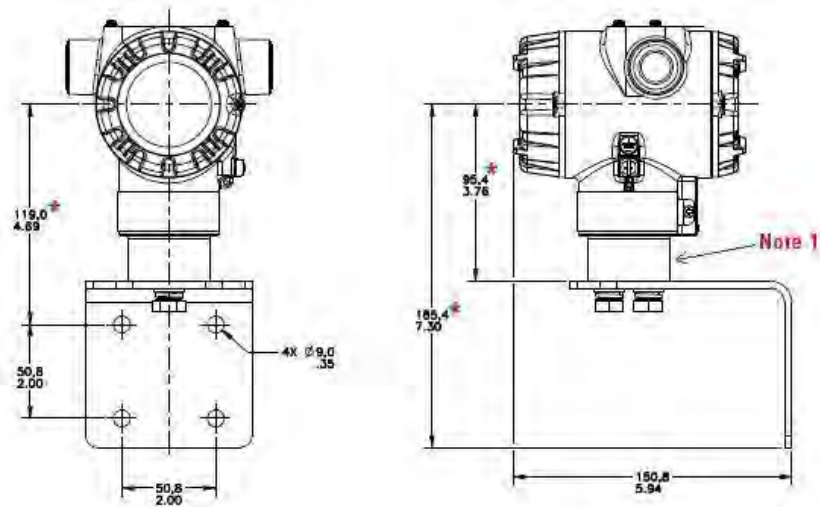
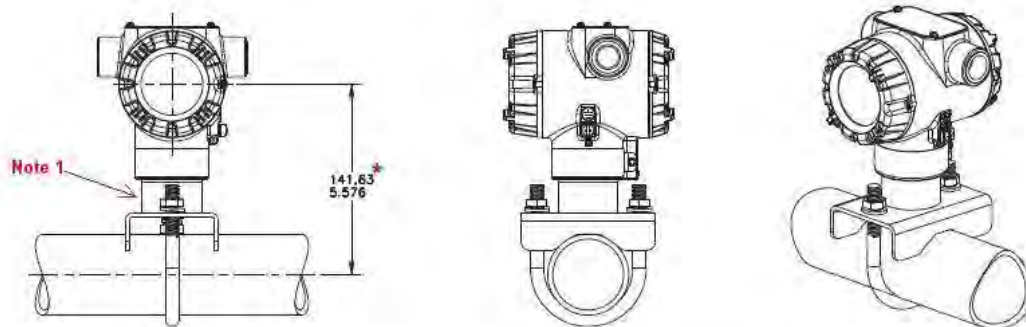
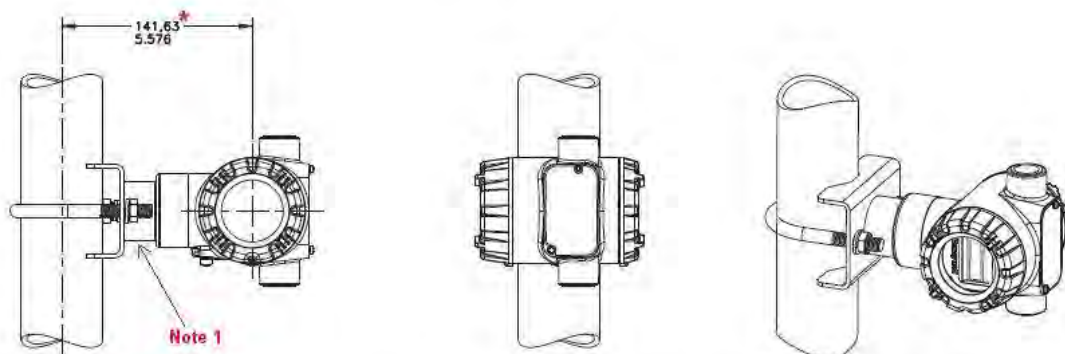


Figure 3 –Horizontal Wall Mounting



HORIZONTAL FLAT PIPE MOUNT

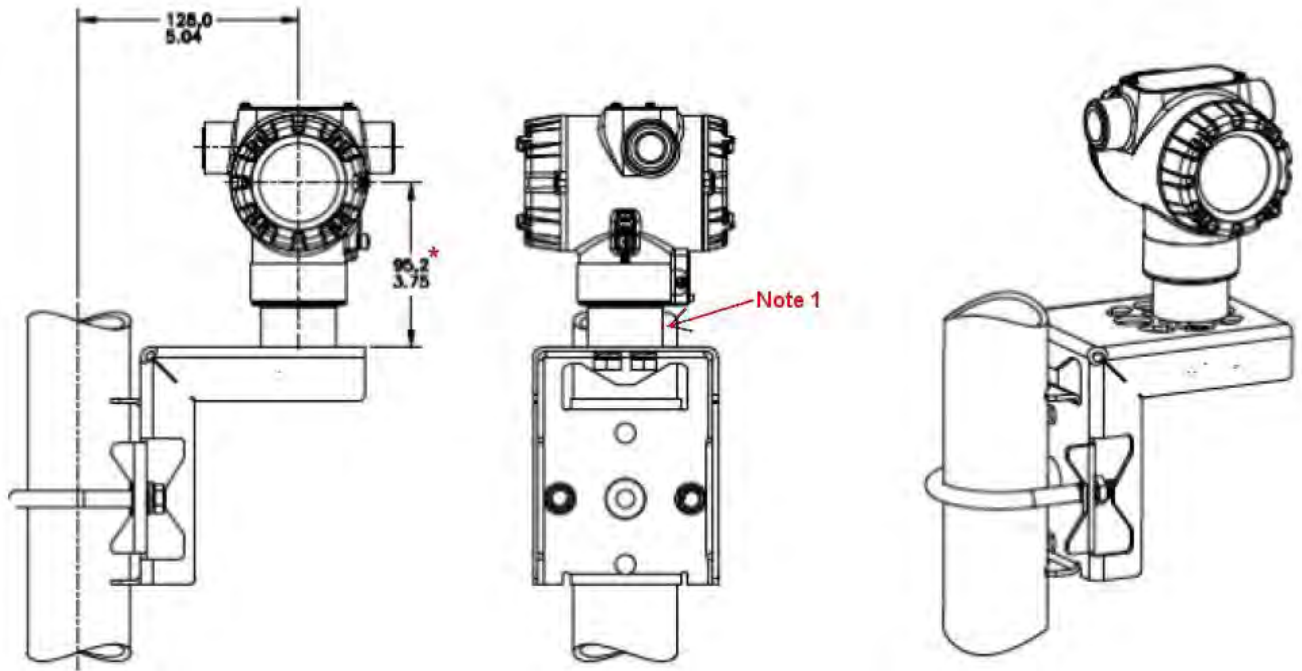


VERTICAL FLAT PIPE MOUNT

Figure 4 – Pipe Mount, Horizontal & Vertical

\* **Not 1:** Housing adapter may not be present on all transmitter models. If the housing adapter is not present, subtract 24,5mm (0,96 inches) from the dimension specified.





VERTICAL ANGLE PIPE MOUNT

**Figure 5 - Pipe Mount, Vertical**

**\*Note 1:** Figure 5. Housing adapter may not be present on all transmitter models. If the housing adapter is not present, subtract 24,5mm (0,96 inches) from the dimension specified.

По вопросам продаж и поддержки обращайтесь:

**Алматы** (7273)495-231  
**Ангарск** (3955)60-70-56  
**Архангельск** (8182)63-90-72  
**Астрахань** (8512)99-46-04  
**Барнаул** (3852)73-04-60  
**Белгород** (4722)40-23-64  
**Благовещенск** (4162)22-76-07  
**Брянск** (4832)59-03-52  
**Владивосток** (423)249-28-31  
**Владикавказ** (8672)28-90-48  
**Владимир** (4922)49-43-18  
**Волгоград** (844)278-03-48  
**Вологда** (8172)26-41-59  
**Воронеж** (473)204-51-73  
**Екатеринбург** (343)384-55-89  
**Иваново** (4932)77-34-06  
**Ижевск** (3412)26-03-58  
**Иркутск** (395)279-98-46  
**Казань** (843)206-01-48

**Калининград** (4012)72-03-81  
**Калуга** (4842)92-23-67  
**Кемерово** (3842)65-04-62  
**Киров** (8332)68-02-04  
**Коломна** (4966)23-41-49  
**Кострома** (4942)77-07-48  
**Краснодар** (861)203-40-90  
**Красноярск** (391)204-63-61  
**Курган** (3522)50-90-47  
**Курск** (4712)77-13-04  
**Липецк** (4742)52-20-81  
**Магнитогорск** (3519)55-03-13  
**Москва** (495)268-04-70  
**Мурманск** (8152)59-64-93  
**Набережные Челны** (8552)20-53-41  
**Нижний Новгород** (831)429-08-12  
**Новокузнецк** (3843)20-46-81  
**Новосибирск** (383)227-86-73  
**Ноябрьск**(3496)41-32-12

**Омск** (3812)21-46-40  
**Орел** (4862)44-53-42  
**Оренбург** (3532)37-68-04  
**Пенза** (8412)22-31-16  
**Пермь** (342)205-81-47  
**Петрозаводск** (8142)55-98-37  
**Псков** (8112)59-10-37  
**Ростов-на-Дону** (863)308-18-15  
**Рязань** (4912)46-61-64  
**Самара** (846)206-03-16  
**Санкт-Петербург** (812)309-46-40  
**Саранск** (8342)22-96-24  
**Саратов** (845)249-38-78  
**Севастополь** (8692)22-31-93  
**Симферополь** (3652)67-13-56  
**Смоленск** (4812)29-41-54  
**Сочи** (862)225-72-31  
**Ставрополь** (8652)20-65-13  
**Сургут** (3462)77-98-35

**Сыктывкар** (8212)25-95-17  
**Тамбов** (4752)50-40-97  
**Тверь** (4822)63-31-35  
**Тольятти** (8482)63-91-07  
**Томск** (3822)98-41-53  
**Тула** (4872)33-79-87  
**Тюмень** (3452)66-21-18  
**Улан-Удэ** (3012)59-97-51  
**Ульяновск** (8422)24-23-59  
**Уфа** (347)229-48-12  
**Хабаровск** (4212)92-98-04  
**Чебоксары** (8352)28-53-07  
**Челябинск** (351)202-03-61  
**Череповец** (8202)49-02-64  
**Чита** (3022)38-34-83  
**Якутск** (4112)23-90-97  
**Ярославль** (4852)69-52-93

**Россия** +7(495)268-04-70

**Казахстан** +7(7172)727-132

**Киргизия** +996(312)96-26-47

сайт: [www.honeywell.nt-rt.ru](http://www.honeywell.nt-rt.ru) || эл. почта: [hwn@nt-rt.ru](mailto:hwn@nt-rt.ru)