

По вопросам продаж и поддержки обращайтесь:

**Алматы** (7273)495-231  
**Ангарск** (3955)60-70-56  
**Архангельск** (8182)63-90-72  
**Астрахань** (8512)99-46-04  
**Барнаул** (3852)73-04-60  
**Белгород** (4722)40-23-64  
**Благовещенск** (4162)22-76-07  
**Брянск** (4832)59-03-52  
**Владивосток** (423)249-28-31  
**Владикавказ** (8672)28-90-48  
**Владимир** (4922)49-43-18  
**Волгоград** (844)278-03-48  
**Вологда** (8172)26-41-59  
**Воронеж** (473)204-51-73  
**Екатеринбург** (343)384-55-89  
**Иваново** (4932)77-34-06  
**Ижевск** (3412)26-03-58  
**Иркутск** (395)279-98-46  
**Казань** (843)206-01-48

**Калининград** (4012)72-03-81  
**Калуга** (4842)92-23-67  
**Кемерово** (3842)65-04-62  
**Киров** (8332)68-02-04  
**Коломна** (4966)23-41-49  
**Кострома** (4942)77-07-48  
**Краснодар** (861)203-40-90  
**Красноярск** (391)204-63-61  
**Курган** (3522)50-90-47  
**Курск** (4712)77-13-04  
**Липецк** (4742)52-20-81  
**Магнитогорск** (3519)55-03-13  
**Москва** (495)268-04-70  
**Мурманск** (8152)59-64-93  
**Набережные Челны** (8552)20-53-41  
**Нижний Новгород** (831)429-08-12  
**Новокузнецк** (3843)20-46-81  
**Новосибирск** (383)227-86-73  
**Ноябрьск**(3496)41-32-12

**Омск** (3812)21-46-40  
**Орел** (4862)44-53-42  
**Оренбург** (3532)37-68-04  
**Пенза** (8412)22-31-16  
**Пермь** (342)205-81-47  
**Петрозаводск** (8142)55-98-37  
**Псков** (8112)59-10-37  
**Ростов-на-Дону** (863)308-18-15  
**Рязань** (4912)46-61-64  
**Самара** (846)206-03-16  
**Санкт-Петербург** (812)309-46-40  
**Саранск** (8342)22-96-24  
**Саратов** (845)249-38-78  
**Севастополь** (8692)22-31-93  
**Симферополь** (3652)67-13-56  
**Смоленск** (4812)29-41-54  
**Сочи** (862)225-72-31  
**Ставрополь** (8652)20-65-13  
**Сургут** (3462)77-98-35

**Сыктывкар** (8212)25-95-17  
**Тамбов** (4752)50-40-97  
**Тверь** (4822)63-31-35  
**Тольятти** (8482)63-91-07  
**Томск** (3822)98-41-53  
**Тула** (4872)33-79-87  
**Тюмень** (3452)66-21-18  
**Улан-Удэ** (3012)59-97-51  
**Ульяновск** (8422)24-23-59  
**Уфа** (347)229-48-12  
**Хабаровск** (4212)92-98-04  
**Чебоксары** (8352)28-53-07  
**Челябинск** (351)202-03-61  
**Череповец** (8202)49-02-64  
**Чита** (3022)38-34-83  
**Якутск** (4112)23-90-97  
**Ярославль** (4852)69-52-93

**Россия** +7(495)268-04-70

**Казахстан** +7(7172)727-132

**Киргизия** +996(312)96-26-47

сайт: [www.honeywell.nt-rt.ru](http://www.honeywell.nt-rt.ru) || эл. почта: [hwn@nt-rt.ru](mailto:hwn@nt-rt.ru)

# ИНДИКАТОРЫ ВЫНОСНЫЕ

## Технические характеристики на

### RMA801



## SmartLine

### RMA801 SmartLine Remote DE or Analog Indicator Specification

34-ST-03-148



#### Introduction

The Honeywell RMA801 is a DE or analog remote indicator suitable for use with any DE transmitter or a transmitter operating in analog, 4-20 mA mode. The RMA801 is part to the RMA 800 family and delivers the ability to locate a remote indicator away from a SmartLine transmitter. In this specific instance, the RMA801 is the remote display offering that supports Honeywell's DE protocol and thus it connects to the SmartLine family of transmitters when using DE protocol. Besides supporting DE protocol, the RMA801 is also capable of operating in analog only mode allowing it to connect to any transmitter with a 4-20 mA output including HART protocol transmitters.

#### Best in Class Features:

- RMA auto-configuration when connected to DE protocol transmitters
- Modular design hardware
- Dual compartment housing separating sensitive electronics from termination wiring
- Standard and custom measurement units available
- Integrated two configuration buttons
- Simple, easy to use interface
- Remote indicator diagnostic displays
- Reverse wiring polarity protection
- Functions as a second, remotely-located display for ease of view

#### Integral Keypad

The RMA801 features a built-in 2-button keypad on display, permitting display set-up and operation, including:

- RMA configuration for LRV, URV and engineering unit
- RMA calibration
- Display appearance (contrast setting)



Figure 1—RMA801 Remote Indicator

## Display Characteristics

The RMA801 Remote Indicator features the following:

- 360° rotation in 90° Increments
- 2 lines, 8 characters
- Diagnostic messaging
- Custom units of measurement
- Standard units of measurement:

<b>Temperature</b>	°C, °F, °R, K, mV, Ohm
<b>Pressure</b>	inH2O@39°F, mH2O@4°C, cmH2O@4°C, Torr, mmH2O@68°F, ftH2O@68°F, inH2O@68°F, inH2O@60°F, atm, Pa, kPa, MPa, gf/cm2, kgf/cm2, psi, mbar, bar, inHg@0°C, mmHg@0°C, mmH2O@4°C.
<b>Flow</b>	ft3/sec, gal/min, gal/hr, liter/min, liter/hr, m3/sec, m3/hr, Pounds per sec(lbm/sec), Pounds per min (lbm/min), Pounds per hr(lbm/hr), kg/sec, kg/hr, Standard Cubic Feet per min (SFt3/m), Standard Cubic Feet per hr (SFt3/h), Standard Cubic Feet per Day (SFt3/d), Metric Standard Cubic Feet per Hour(MSCFH), Normal Cubic meter per hr(NM3/h), Million Standard Cubic Feet per Day (MMSCFD), Million Standard Cubic Feet per Hour (MMSCFH)
<b>Level</b>	ft, in, m, cm, mm, %

## Display Screens & Diagnostics

Similar to all other SmartLine products, the display rotation and contrast settings are user configurable.

The RMA801 remote indicator can rotate the display in 90 deg and cover 360 deg manually

### Diagnostic messages



#### **BAD-Tx**

Transmitter critical diagnostic condition present



#### **BAD-RMA**

RMA diagnostics present



#### **RMA DG**

RMA Diagnostics

**Figure 2: Standard Display screens**

## Specifications

Operating Conditions						
Parameter	Reference Condition		Operative Limits		Transportation and Storage	
	°C	°F	°C	°F	°C	°F
Ambient Temperature	25±1	77±2	-40 to 70*	-40 to 158	-30 to 80	-22 to 175
Humidity (%RH)	10 to 55		0 to 100		0 to 100	

**Note:** LCD display operating temperature is -20 to 70°C. At temperatures beyond this operating limit, display may not be readable but loop will remain intact.

Physical/Functional Specifications	
Parameter	Description
Input Signal	4-20 mA DC
Max Voltage drop	2.3V @ 21.5mA
Drop under Failure conditions	5.6V
Min loop operating current	3.6mA
Vibration:	IEC 60770-1 field or pipeline, vibration (10-2000 Hz: 0.21mm displacement / 3g max acceleration)
Electromagnetic Compatibility	IEC 61326-3-1
Electronic Housing	Pure Polyester Powder Coated Low Copper (<0.4%) Aluminum. Meets NEMA 4X, IP66, IP67 and NEMA 7 (explosion proof). All stainless steel housing is optional. Cover o-ring material: Silicone
Wiring	Accepts up to 16 AWG (1.5 mm diameter).
Mounting Bracket	Carbon Steel (zinc-chromate plated) or 316 Stainless Steel. Suitable for wall or 2" (50mm) vertical or horizontal pipe mounting.
Electrical Connections	½"-14 NPT or M20
Dimensions	See <a href="#">Figure 3</a> and <a href="#">Figure 5</a>
Net Weight	2.5 lbs (1,1 kg) with aluminum housing

Performance	
Parameter	Description
<b>Accuracy:</b> <ul style="list-style-type: none"> <li>Analog 4-20 mA Mode</li> <li>Temperature Effect</li> <li>DE</li> </ul>	+/- 0.1% of Span under standard conditions +/- 0.01 % of Span under standard conditions Same as transmitter*
Display	Digital Readout: 7 digits,
Display Resolution	0.01 unit for reading range (-999 to 999) 0.1 unit for reading range (-9999 to -1000) or (1000 unit to 9999). 1 unit for reading range (-99999 to -10000) or (10000 to 99999). 10 units for reading range (-999999 to -100000) or (100000 to 999999).

\*Reproduces the transmitter signal exactly to within its resolution

## Mounting & Dimensional Drawings

Reference Dimensions:  $\frac{\text{millimeters}}{\text{inches}}$

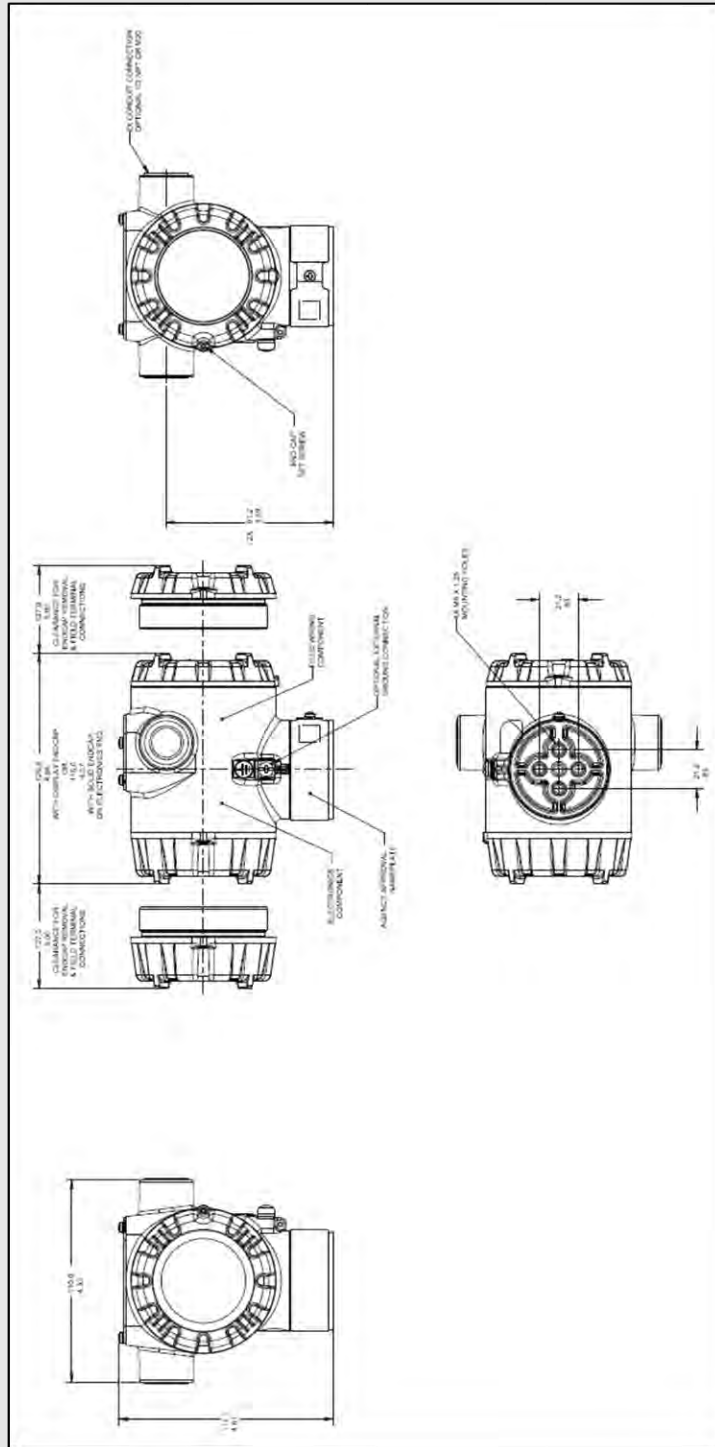


Figure 3 – RMA Dimensions

## Mounting & Dimensional Drawings

TRANSMITTER ENCLOSURE CAN BE ROTATED A TOTAL OF 90° FROM THE STANDARD MOUNTING POSITION

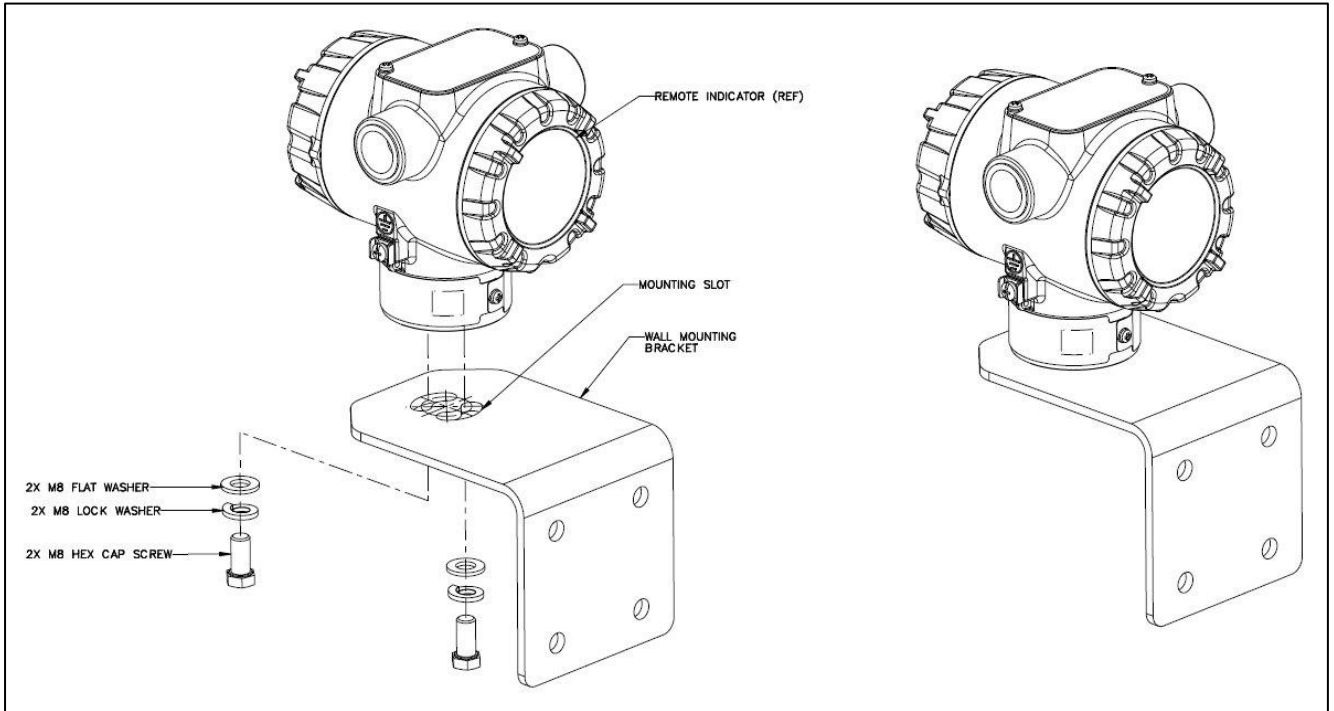


Figure 4 - Wall Mounting

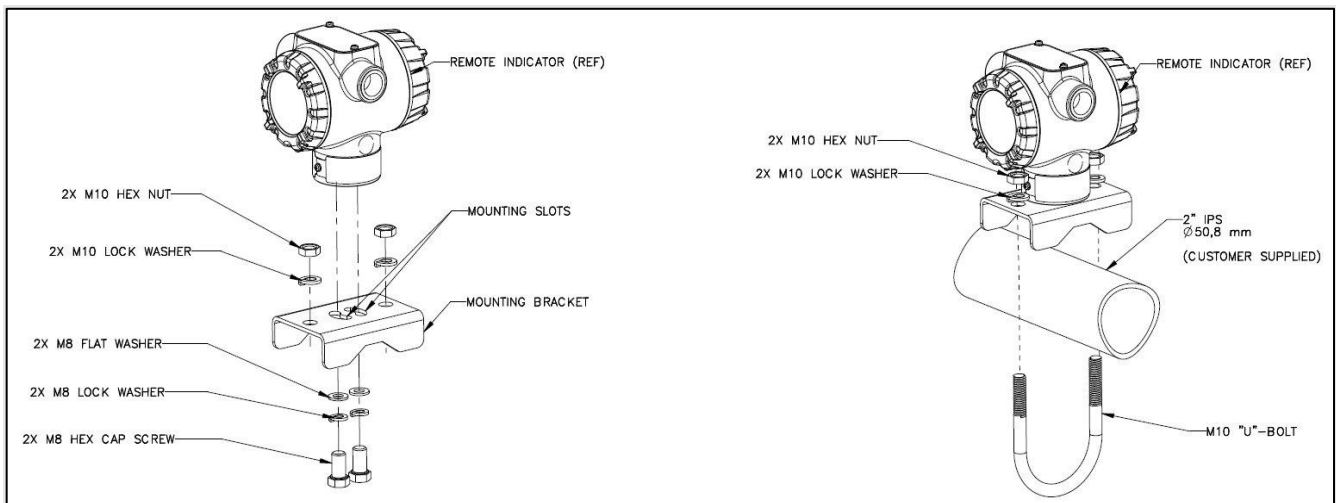


Figure 5 - Pipe Mount, Horizontal & Vertical

## Mounting & Dimensional Drawings

TRANSMITTER ENCLOSURE CAN BE ROTATED A TOTAL OF 90° FROM THE STANDARD MOUNTING POSITION

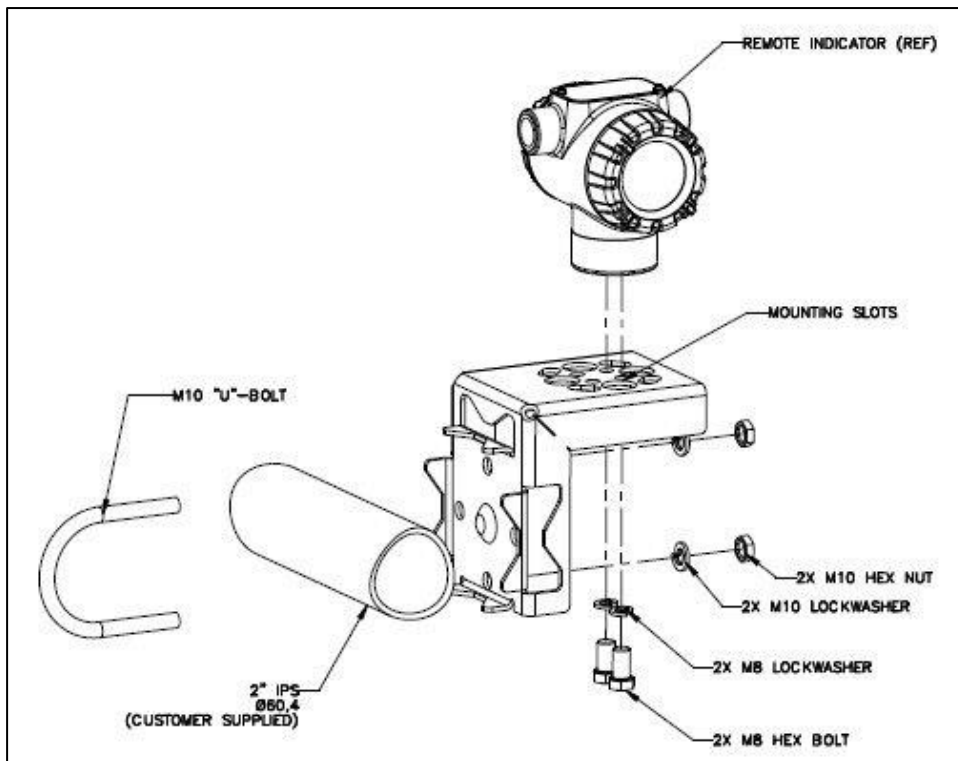


Figure 6: Pipe Mount - Horizontal Mounting Bracket

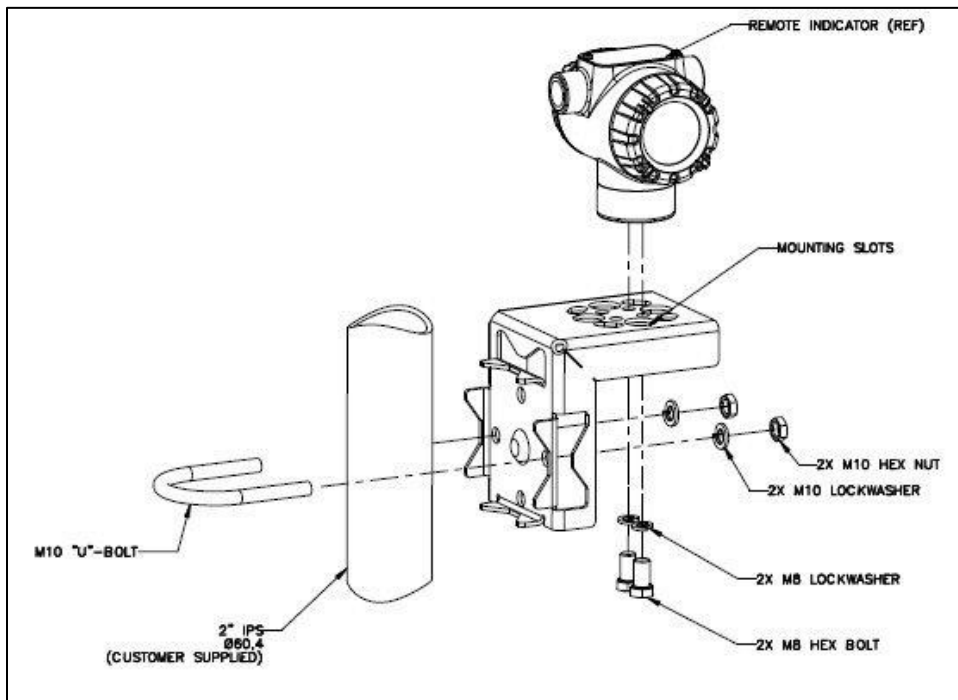


Figure 7: Pipe Mount - Vertical Mounting Bracket

По вопросам продаж и поддержки обращайтесь:

**Алматы** (7273)495-231  
**Ангарск** (3955)60-70-56  
**Архангельск** (8182)63-90-72  
**Астрахань** (8512)99-46-04  
**Барнаул** (3852)73-04-60  
**Белгород** (4722)40-23-64  
**Благовещенск** (4162)22-76-07  
**Брянск** (4832)59-03-52  
**Владивосток** (423)249-28-31  
**Владикавказ** (8672)28-90-48  
**Владимир** (4922)49-43-18  
**Волгоград** (844)278-03-48  
**Вологда** (8172)26-41-59  
**Воронеж** (473)204-51-73  
**Екатеринбург** (343)384-55-89  
**Иваново** (4932)77-34-06  
**Ижевск** (3412)26-03-58  
**Иркутск** (395)279-98-46  
**Казань** (843)206-01-48

**Калининград** (4012)72-03-81  
**Калуга** (4842)92-23-67  
**Кемерово** (3842)65-04-62  
**Киров** (8332)68-02-04  
**Коломна** (4966)23-41-49  
**Кострома** (4942)77-07-48  
**Краснодар** (861)203-40-90  
**Красноярск** (391)204-63-61  
**Курган** (3522)50-90-47  
**Курск** (4712)77-13-04  
**Липецк** (4742)52-20-81  
**Магнитогорск** (3519)55-03-13  
**Москва** (495)268-04-70  
**Мурманск** (8152)59-64-93  
**Набережные Челны** (8552)20-53-41  
**Нижний Новгород** (831)429-08-12  
**Новокузнецк** (3843)20-46-81  
**Новосибирск** (383)227-86-73  
**Ноябрьск**(3496)41-32-12

**Омск** (3812)21-46-40  
**Орел** (4862)44-53-42  
**Оренбург** (3532)37-68-04  
**Пенза** (8412)22-31-16  
**Пермь** (342)205-81-47  
**Петрозаводск** (8142)55-98-37  
**Псков** (8112)59-10-37  
**Ростов-на-Дону** (863)308-18-15  
**Рязань** (4912)46-61-64  
**Самара** (846)206-03-16  
**Санкт-Петербург** (812)309-46-40  
**Саранск** (8342)22-96-24  
**Саратов** (845)249-38-78  
**Севастополь** (8692)22-31-93  
**Симферополь** (3652)67-13-56  
**Смоленск** (4812)29-41-54  
**Сочи** (862)225-72-31  
**Ставрополь** (8652)20-65-13  
**Сургут** (3462)77-98-35

**Сыктывкар** (8212)25-95-17  
**Тамбов** (4752)50-40-97  
**Тверь** (4822)63-31-35  
**Тольятти** (8482)63-91-07  
**Томск** (3822)98-41-53  
**Тула** (4872)33-79-87  
**Тюмень** (3452)66-21-18  
**Улан-Удэ** (3012)59-97-51  
**Ульяновск** (8422)24-23-59  
**Уфа** (347)229-48-12  
**Хабаровск** (4212)92-98-04  
**Чебоксары** (8352)28-53-07  
**Челябинск** (351)202-03-61  
**Череповец** (8202)49-02-64  
**Чита** (3022)38-34-83  
**Якутск** (4112)23-90-97  
**Ярославль** (4852)69-52-93

**Россия** +7(495)268-04-70

**Казахстан** +7(7172)727-132

**Киргизия** +996(312)96-26-47

сайт: [www.honeywell.nt-rt.ru](http://www.honeywell.nt-rt.ru) || эл. почта: [hwn@nt-rt.ru](mailto:hwn@nt-rt.ru)