

По вопросам продаж и поддержки обращайтесь:

Алматы (7273)495-231
Ангарск (3955)60-70-56
Архангельск (8182)63-90-72
Астрахань (8512)99-46-04
Барнаул (3852)73-04-60
Белгород (4722)40-23-64
Благовещенск (4162)22-76-07
Брянск (4832)59-03-52
Владивосток (423)249-28-31
Владикавказ (8672)28-90-48
Владимир (4922)49-43-18
Волгоград (844)278-03-48
Вологда (8172)26-41-59
Воронеж (473)204-51-73
Екатеринбург (343)384-55-89
Иваново (4932)77-34-06
Ижевск (3412)26-03-58
Иркутск (395)279-98-46
Казань (843)206-01-48

Калининград (4012)72-03-81
Калуга (4842)92-23-67
Кемерово (3842)65-04-62
Киров (8332)68-02-04
Коломна (4966)23-41-49
Кострома (4942)77-07-48
Краснодар (861)203-40-90
Красноярск (391)204-63-61
Курган (3522)50-90-47
Курск (4712)77-13-04
Липецк (4742)52-20-81
Магнитогорск (3519)55-03-13
Москва (495)268-04-70
Мурманск (8152)59-64-93
Набережные Челны (8552)20-53-41
Нижний Новгород (831)429-08-12
Новокузнецк (3843)20-46-81
Новосибирск (383)227-86-73
Ноябрьск (3496)41-32-12

Омск (3812)21-46-40
Орел (4862)44-53-42
Оренбург (3532)37-68-04
Пенза (8412)22-31-16
Пермь (342)205-81-47
Петрозаводск (8142)55-98-37
Псков (8112)59-10-37
Ростов-на-Дону (863)308-18-15
Рязань (4912)46-61-64
Самара (846)206-03-16
Санкт-Петербург (812)309-46-40
Саранск (8342)22-96-24
Саратов (845)249-38-78
Севастополь (8692)22-31-93
Симферополь (3652)67-13-56
Смоленск (4812)29-41-54
Сочи (862)225-72-31
Ставрополь (8652)20-65-13
Сургут (3462)77-98-35

Сыктывкар (8212)25-95-17
Тамбов (4752)50-40-97
Тверь (4822)63-31-35
Тольятти (8482)63-91-07
Томск (3822)98-41-53
Тула (4872)33-79-87
Тюмень (3452)66-21-18
Улан-Удэ (3012)59-97-51
Ульяновск (8422)24-23-59
Уфа (347)229-48-12
Хабаровск (4212)92-98-04
Чебоксары (8352)28-53-07
Челябинск (351)202-03-61
Череповец (8202)49-02-64
Чита (3022)38-34-83
Якутск (4112)23-90-97
Ярославль (4852)69-52-93

Россия +7(495)268-04-70

Казахстан +7(7172)727-132

Киргизия +996(312)96-26-47

сайт: www.honeywell.nt-rt.ru || эл. почта: hwn@nt-rt.ru

УРОВНЕМЕРЫ

Технические характеристики
на

PL3701-I-S, PL3701-I-W, PL3701-P-S,
PL3701-P-W



PL3701-I-S



Electronic Level Transmitter with Screwed Flange - Side Mounting

The PL3701-I -S Electronic Level Transmitter is a linearized, ceramic device specially designed for petroleum and chemical applications. It features an IP68-rated sensor through 316 L stainless steel housing and shielded polyester cable.

The 316L stainless steel remote electronics box intended for deck installation includes an amplifier with zero and span adjustment. Optional flexible conduits can be supplied for watertight connections on deck

PL3701-I-S - Technical Specifications

Technical Data

Range:	120 mbar to 4 bar.
Accuracy:	± 0,3% FS at 20°C
Overpressure:	6 to 25 bar.
Output signal:	4-20 mA, 2-wires
Protection class:	- Sensor: IP6 - Remote box:
Intrinsic safety:	IP6 IECEx, ATEX. II 1 G D Ex ia IIC T6 Ga or Ex ia IIB T6 Ga Ex ia IIIC T80°C Da IP66/67 (Max 50m cable between sensor and remote electronic box).

Power supply:	12-28 Vdc
Operating ambient temperature:	- 20°C to + 70°C
Cable length:	3m in standard (option: up to 50m)

Special Features

- Material:**
- Remote box: Stainless steel 316L
 - Sensor: Stainless steel 316L
 - Diaphragm: Ceramic
 - Flange: Stainless steel 316L
 - Cable: Polyethylene (fi e retardant).

Recommended zener barrier for installation in hazardous area : MTL7787+.

Sensor up to max 120°C.

Polyethylene cable up to max 60°C

(standard). PTFE cable up to max 120°C (optional).

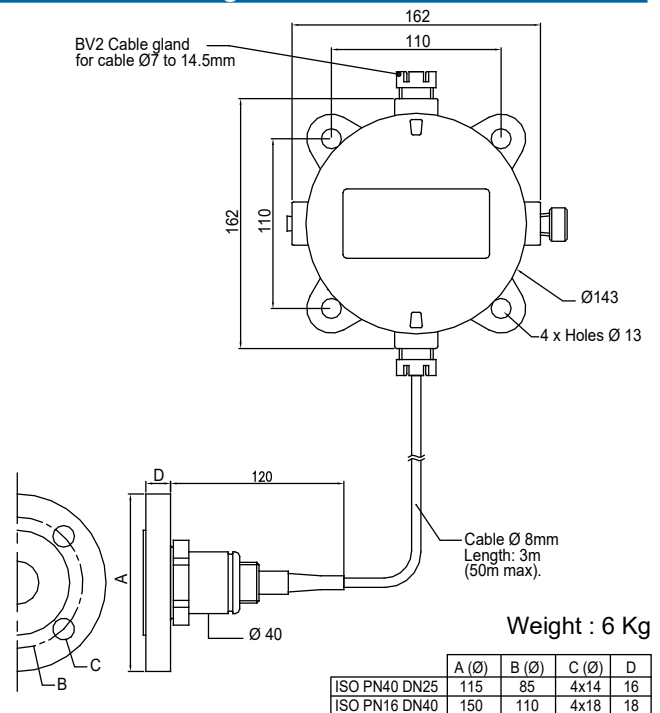
2 or 3 flexible conduits (optional).

Screwed ISO flange: PN40DN25 or

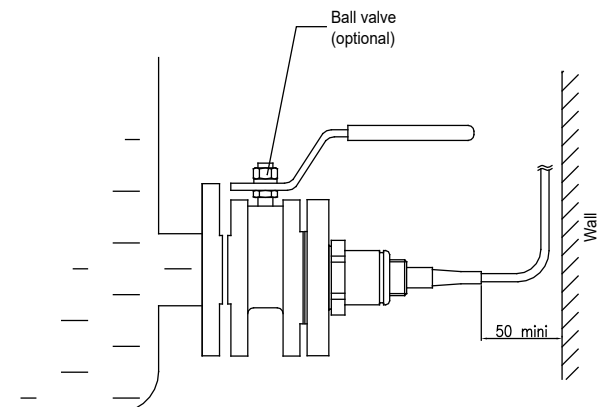
Technical Documentation

Installation manual:	MI5090
Technical manual:	NT5090
Maintenance manual:	MM5090

Mechanical Fittings & Dimensions



Process Connection





The electrical level transmitter with welded lange - side mounting

The PL3701-I-W Electronic Level Transmitter is a linearized, ceramic device specially designed for petroleum and chemical applications that measure level in service tanks, ballast tanks or slop and water tanks. It features an IP68-rated sensor through 316 L stainless steel housing and shielded polyester cable. The remote electronic box in stainless steel 316L includes the amplifier with zero and span adjustment.

PL3701-I-W - Technical Specifications

Technical Data

Ranges:	120 mbar to 4 bar
Overpressure:	6 to 25 bar
Accuracy:	±0,3% FS at 20°C
Ranges:	120 mbar to 4 bar
Protection class:	- ransducer: IP68 - Remote elect onic box: IP66/67
Intrinsic safety:	IECEX, ATEX. II 1 G D Ex ia IIC T6 Ga or Ex ia IIB T6 Ga Ex ia IIIC T80°C Da IP66/67 (Max 50m cable between sensor and remote electronic box).
Power supply:	12-28 Vdc
Output signal:	4-20 mA, 2-wires
Operating temperature ranges:	- ransducer: - 40° to + 125°C - Remote elect onic box: - 25° to + 85°C
Cable length:	3m in standard (option: up to 50m)

Special Features

Material:

- Remote box: Stainless steel 316L
- Sensor: Stainless steel 316L
- Diaphragm: Ceramic
- Flange: Stainless steel 316L
- Cable: Polyethylene (fi e retardant).

Recommended zener barrier for installation in hazardous area : MTL7787+.

Sensor up to max 125°C.

Polyethylene cable up to max 60°C (standard).

PTFE cable up to max 120°C (optional).

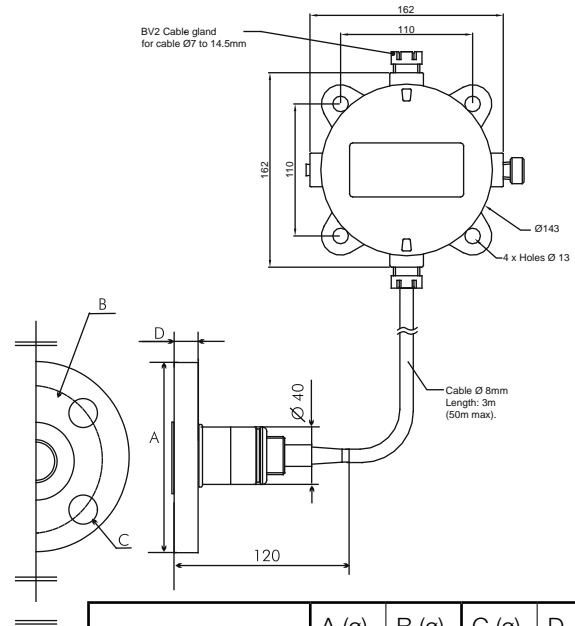
2 or 3 flexible conduits (optional).

Screwed ISO flange: PN40DN25 or PN16DN40

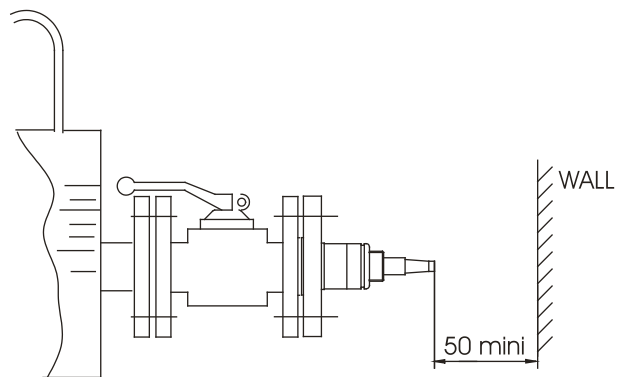
Technical Documentation

Installation manual:	MI5090
Technical manual:	NT5090
Maintenance manual:	MM5090

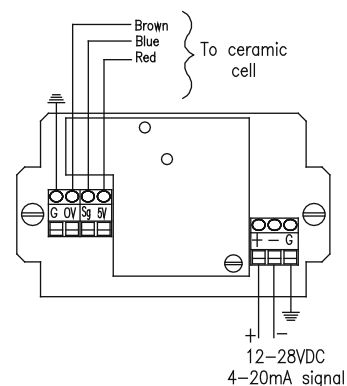
Dimensions & Fixation



Mechanical Connection



Electrical Connection





The electrical level transmitter with welded flange - side mounting

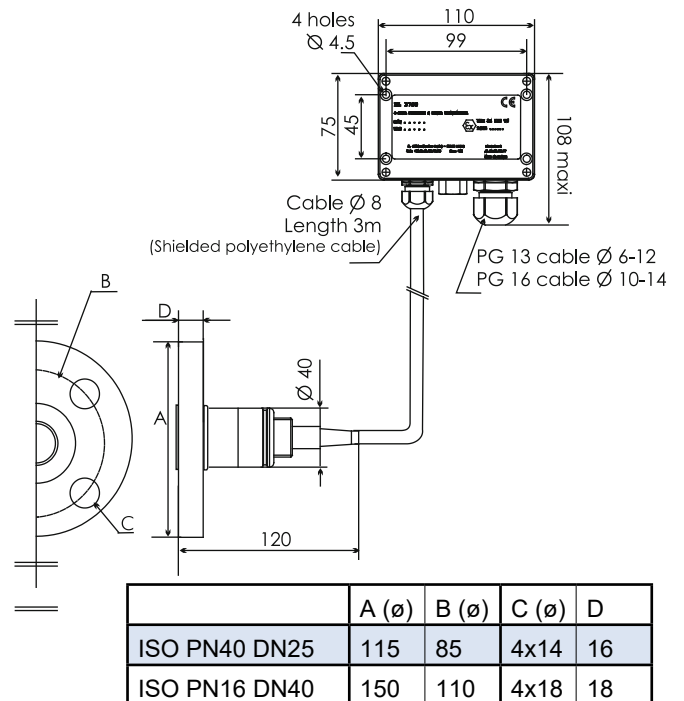
The PL3701-P-W Electronic Level Transmitter is a linearized, ceramic device specially designed for petroleum and chemical applications that measure level in service tanks, ballast tanks or slop and water tanks. It features an IP68-rated sensor through 316 L stainless steel housing and shielded polyester cable. The remote electronic box in Polyester includes the amplifier with

zero and span adjustment.

PL3701-P-W - Technical Specifications

Technical Data	
Ranges:	120 mbar to 4 bar
Overpressure:	6 to 25 bar
Accuracy:	±0,3% FS at 20°C
Ranges:	120 mbar to 4 bar
Protection class:	- Transducer: IP68 - Remote electronic box: IP66
Intrinsic safety:	IECEX, ATEX II 1 G D Ex ia IIC T6 Ga or Ex ia IIB T6 Ga Ex ia IIIC T80°C Da IP66/67 (Max 50 m cable between transducer & remote electronic box)
Power supply:	12-28 Vdc
Output signal:	4-20 mA, 2-wires
Operating temperature ranges:	- Transducer: - 40° to + 125°C - Remote electronic box: - 25° to + 85°
Cable length:	3m in standard (option: up to 50m)

Dimensions & Fixation



Special Features

Material:

- Remote box: Polyester
- Sensor: Stainless steel 316L
- Diaphragm: Ceramic
- Flange: Stainless steel 316L
- Cable: Polyethylene (fire retardant).

Recommended zener barrier for installation in hazardous area : MTL7787+.

Sensor up to max 125°C.

Polyethylene cable up to max 60°C

(standard). PTFE cable up to max 120°C

(optional).

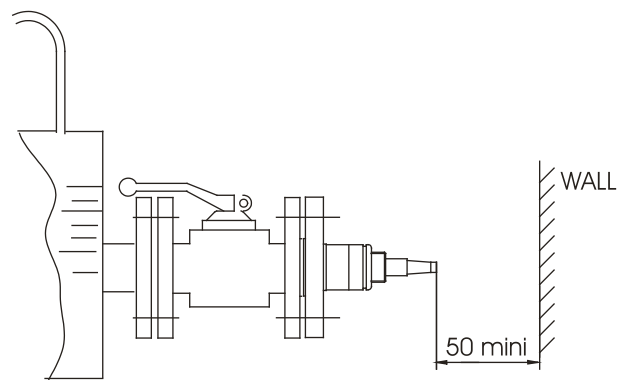
2 or 3 flexible conduits (optional).

Screwed ISO flange: PN40DN25 or

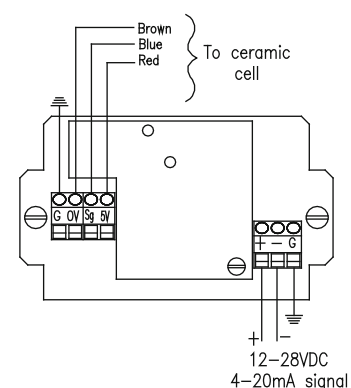
Technical Documentation

Installation manual:	MI5090
Technical manual:	NT5090
Maintenance manual:	MM5090

Mechanical Connection



Electrical Connection



По вопросам продаж и поддержки обращайтесь:

Алматы (7273)495-231
Ангарск (3955)60-70-56
Архангельск (8182)63-90-72
Астрахань (8512)99-46-04
Барнаул (3852)73-04-60
Белгород (4722)40-23-64
Благовещенск (4162)22-76-07
Брянск (4832)59-03-52
Владивосток (423)249-28-31
Владикавказ (8672)28-90-48
Владимир (4922)49-43-18
Волгоград (844)278-03-48
Вологда (8172)26-41-59
Воронеж (473)204-51-73
Екатеринбург (343)384-55-89
Иваново (4932)77-34-06
Ижевск (3412)26-03-58
Иркутск (395)279-98-46
Казань (843)206-01-48

Калининград (4012)72-03-81
Калуга (4842)92-23-67
Кемерово (3842)65-04-62
Киров (8332)68-02-04
Коломна (4966)23-41-49
Кострома (4942)77-07-48
Краснодар (861)203-40-90
Красноярск (391)204-63-61
Курган (3522)50-90-47
Курск (4712)77-13-04
Липецк (4742)52-20-81
Магнитогорск (3519)55-03-13
Москва (495)268-04-70
Мурманск (8152)59-64-93
Набережные Челны (8552)20-53-41
Нижний Новгород (831)429-08-12
Новокузнецк (3843)20-46-81
Новосибирск (383)227-86-73
Ноябрьск(3496)41-32-12

Омск (3812)21-46-40
Орел (4862)44-53-42
Оренбург (3532)37-68-04
Пенза (8412)22-31-16
Пермь (342)205-81-47
Петрозаводск (8142)55-98-37
Псков (8112)59-10-37
Ростов-на-Дону (863)308-18-15
Рязань (4912)46-61-64
Самара (846)206-03-16
Санкт-Петербург (812)309-46-40
Саранск (8342)22-96-24
Саратов (845)249-38-78
Севастополь (8692)22-31-93
Симферополь (3652)67-13-56
Смоленск (4812)29-41-54
Сочи (862)225-72-31
Ставрополь (8652)20-65-13
Сургут (3462)77-98-35

Сыктывкар (8212)25-95-17
Тамбов (4752)50-40-97
Тверь (4822)63-31-35
Тольятти (8482)63-91-07
Томск (3822)98-41-53
Тула (4872)33-79-87
Тюмень (3452)66-21-18
Улан-Удэ (3012)59-97-51
Ульяновск (8422)24-23-59
Уфа (347)229-48-12
Хабаровск (4212)92-98-04
Чебоксары (8352)28-53-07
Челябинск (351)202-03-61
Череповец (8202)49-02-64
Чита (3022)38-34-83
Якутск (4112)23-90-97
Ярославль (4852)69-52-93

Россия +7(495)268-04-70

Казахстан +7(7172)727-132

Киргизия +996(312)96-26-47

сайт: www.honeywell.nt-rt.ru || эл. почта: hwn@nt-rt.ru