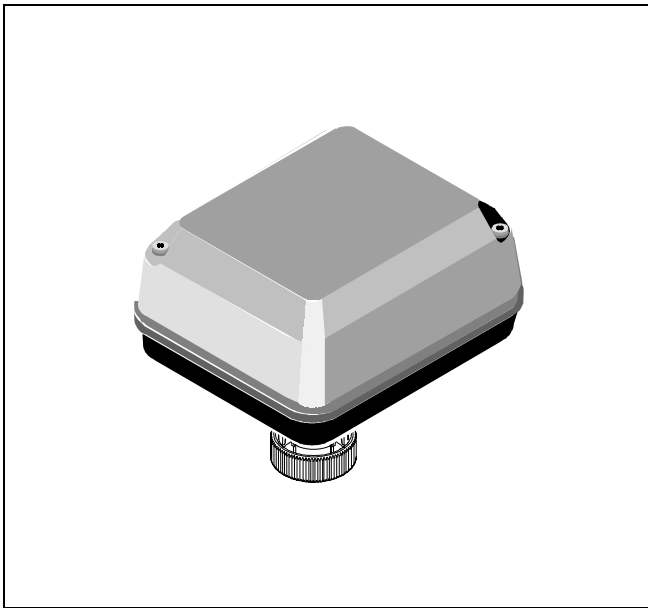


ML6435B

Electric Linear Actuator for Floating Control

SPECIFICATION DATA



GENERAL

The ML6435B actuator is designed to provide floating control together with the small linear valves V5832B/V5833A (DN25...DN40) and V5872B/V5872D for high differential pressure.

These valve-actuator combinations are suitable especially for integration into compact or conventional stations for direct or indirect district heating connections, air handling units and roof top units.

The valve-actuator combination V5872/ML6435B provides safety close-off function and is approved according to DIN32730.

FEATURES

- Easy and quick installation
- No separate linkage required
- No adjustments
- Low power consumption
- Force limiting end switches
- Spring return
- Models for low and line voltage
- Synchronous motor
- Corrosion resistant design
- Maintenance free

SPECIFICATIONS

Temperature Limits

Ambient operating limits	0...+50 °C @ 5 to 95% rh
Ambient storage limits	-40...+70 °C @ 5 to 95% rh
Medium valve temperature	max. +130 °C

Safety

Protection standard	IP54 in acc. with EN60529
Protection class	II in acc. with EN60730-1
Flame retardant	V0 in acc. with UL94 (optional with metal cable gland)

Wiring

Terminals	1.5 mm ²
Cable entry	PG13.5 with cutout ring

Weight

0.5 kg

Dimensions

see Fig. 1

Material

Cover	ABS-FR
Base	glass fibre reinforced plastic

По вопросам продаж и поддержки обращайтесь:

Астана +7(7172)727-132, Волгоград (844)278-03-48, Воронеж (473)204-51-73, Екатеринбург (343)384-55-89,
Казань (843)206-01-48, Краснодар (861)203-40-90, Красноярск (391)204-63-61, Москва (495)268-04-70,
Нижний Новгород (831)429-08-12, Новосибирск (383)227-86-73, Ростов-на-Дону (863)308-18-15, Самара (846)206-03-16,
Санкт-Петербург (812)309-46-40, Саратов (845)249-38-78, Уфа (347)229-48-12

Единый адрес: hwn@nt-rt.ru

www.honeywell.nt-rt.ru

OS-Number	ML6435B1008	ML6435B1016
Supply Voltage	24 Vac -15/+20% 50/60 Hz	230 Vac +10/-15% 50/60 Hz
Power Consumption	10 VA	
Signal Input 1	Supply voltage between terminals 1 and 24V~; actuator stem extends.	Supply voltage between terminals 1 and 230V~; actuator stem extends.
Signal Input 2	Supply voltage between terminals 2 and 24V~; actuator stem retracts.	Supply voltage between terminals 2 and 230V~; actuator stem retracts.
Nominal Stroke	6.5 mm	
Run Time @ 50 Hz	60 s	
Nominal Stem Force	≥400 N	
Spring Return Time	≈10 s	
Spring Return Direction	Actuator stem retracts at power failure	

OPERATION

General

The drive of a synchronous motor is converted into linear motion of the actuator stem by using a spur gear transmission. Actuator and valve are directly connected by a nut.

An integrated mechanism limits the stem force. Installed microswitches switch off the actuator precisely when the specified stem force is reached.

Manual Operation

The actuator is equipped with a manual operator (for 8mm Hex Key). Manual operation is only possible after the power supply is switched off or disconnected. It disables the actuator safety function and has to be used only to check the valve operation.

The manual operator is located under the cover.

Spring Return

The ML6435B spring return actuator provides a defined safety position of the valve in case of power failure.

Suitable Valves

	DN15	DN25	DN32	DN40	Order No.
Close-Off Pressure in kPa	1600	1600	-	-	V5872B
	1600	1600	-	-	V5872D
	-	120	60	30	V5832B
	-	120	60	30	V5833A

Spare Parts

Actuator	Spare Parts	
	Name	Order No.
ML6435B1008	Motor Assy	43196492-001
	Circuit Board	43196494-001
	Cover Assy	43196490-001
ML6435B1016	Motor Assy	43196492-002
	Circuit Board	43196494-002
	Cover Assy	43196490-002

APPROVALS

NOTE: Actuators ML6435B1008 and ML6435B1016 in combination with the following valves are approved according to DIN 32730:

Valve OS-No.	DIN Registration No.
V5872B	in preparation
V5872D	in preparation

DIMENSIONS

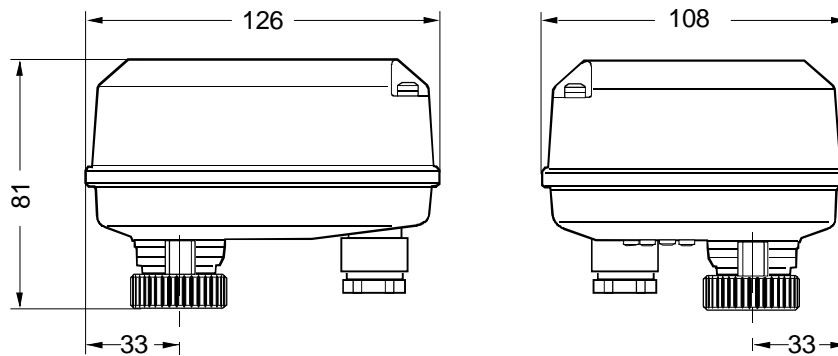


Fig. 1 Dimensions in mm

WIRING

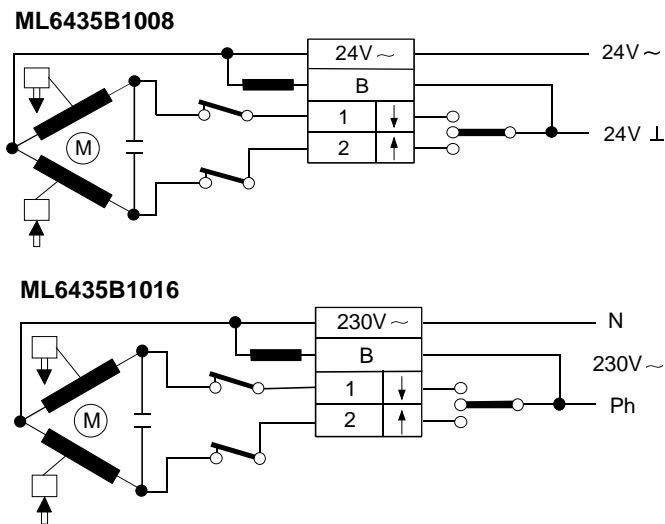


Fig. 2 Wiring

Honeywell

По вопросам продаж и поддержки обращайтесь:

Астана +7(7172)727-132, Волгоград (844)278-03-48, Воронеж (473)204-51-73, Екатеринбург (343)384-55-89,
 Казань (843)206-01-48, Краснодар (861)203-40-90, Красноярск (391)204-63-61, Москва (495)268-04-70,
 Нижний Новгород (831)429-08-12, Новосибирск (383)227-86-73, Ростов-на-Дону (863)308-18-15, Самара (846)206-03-16,
 Санкт-Петербург (812)309-46-40, Саратов (845)249-38-78, Уфа (347)229-48-12

Единый адрес: hwn@nt-rt.ru

www.honeywell.nt-rt.ru