

По вопросам продаж и поддержки обращайтесь:

Алматы (7273)495-231
Ангарск (3955)60-70-56
Архангельск (8182)63-90-72
Астрахань (8512)99-46-04
Барнаул (3852)73-04-60
Белгород (4722)40-23-64
Благовещенск (4162)22-76-07
Брянск (4832)59-03-52
Владивосток (423)249-28-31
Владикавказ (8672)28-90-48
Владимир (4922)49-43-18
Волгоград (844)278-03-48
Вологда (8172)26-41-59
Воронеж (473)204-51-73
Екатеринбург (343)384-55-89
Иваново (4932)77-34-06
Ижевск (3412)26-03-58
Иркутск (395)279-98-46
Казань (843)206-01-48

Калининград (4012)72-03-81
Калуга (4842)92-23-67
Кемерово (3842)65-04-62
Киров (8332)68-02-04
Коломна (4966)23-41-49
Кострома (4942)77-07-48
Краснодар (861)203-40-90
Красноярск (391)204-63-61
Курган (3522)50-90-47
Курск (4712)77-13-04
Липецк (4742)52-20-81
Магнитогорск (3519)55-03-13
Москва (495)268-04-70
Мурманск (8152)59-64-93
Набережные Челны (8552)20-53-41
Нижний Новгород (831)429-08-12
Новокузнецк (3843)20-46-81
Новосибирск (383)227-86-73
Ноябрьск(3496)41-32-12

Омск (3812)21-46-40
Орел (4862)44-53-42
Оренбург (3532)37-68-04
Пенза (8412)22-31-16
Пермь (342)205-81-47
Петрозаводск (8142)55-98-37
Псков (8112)59-10-37
Ростов-на-Дону (863)308-18-15
Рязань (4912)46-61-64
Самара (846)206-03-16
Санкт-Петербург (812)309-46-40
Саранск (8342)22-96-24
Саратов (845)249-38-78
Севастополь (8692)22-31-93
Симферополь (3652)67-13-56
Смоленск (4812)29-41-54
Сочи (862)225-72-31
Ставрополь (8652)20-65-13
Сургут (3462)77-98-35

Сыктывкар (8212)25-95-17
Тамбов (4752)50-40-97
Тверь (4822)63-31-35
Тольятти (8482)63-91-07
Томск (3822)98-41-53
Тула (4872)33-79-87
Тюмень (3452)66-21-18
Улан-Удэ (3012)59-97-51
Ульяновск (8422)24-23-59
Уфа (347)229-48-12
Хабаровск (4212)92-98-04
Чебоксары (8352)28-53-07
Челябинск (351)202-03-61
Череповец (8202)49-02-64
Чита (3022)38-34-83
Якутск (4112)23-90-97
Ярославль (4852)69-52-93

Россия +7(495)268-04-70

Казахстан +7(7172)727-132

Киргизия +996(312)96-26-47

сайт: www.honeywell.nt-rt.ru || эл. почта: hwn@nt-rt.ru

ПАНЕЛИ УПРАВЛЕНИЯ

Технические характеристики на НСiX



HCiX Series

Touch Panel Operator Interface

Specification

Overview

HCiX series operator interfaces allow operator to access all controller functions through custom graphics and touch screen interface on color LCD display.

HCiX 05 – M / T

M : 5.7" MONO LCD (Blue)

T : 5.7" Color TFT LCD (65,536 colors)
Touch Screen (Analog/Resistive Type)

HCiX 08 – T

8.4" Color TFT LCD (65,535 colors) Touch
Screen (Analog/Resistive Type)

HCiX 10 - T

10.4" Color TFT LCD (65,536 colors) Touch
Screen (Analog/Resistive Type)

HCiX 12 - T

12.1" Color TFT LCD (65,536 colors) Touch
Screen (Analog/Resistive Type)

HCiX 15 – T

15.0" Color TFT LCD (65,536 colors) Touch
Screen (Analog/Resistive Type)

Features

- **Color TFT LCD (HCiX 05/08/10/12 /15)**
Color TFT LCD is standard on all HCiX models. It is a high quality display with wide viewing angle. It provides up to 65,536 real colors.
- **Touch Screen (Resistive Type)**
Operator can do changes to parameters by touching the screen directly. It offers much easier operation than the conventional keyboard.
- **Processor - 32 bit RISC CPU**
The HCiX uses a 32 bit RISC CPU for high speed graphic processing



- **IP65F Front Enclosure**

Front face is IP65F rated to permit use in tough applications where the HCiX is subjected to moisture, dust etc.

- **Communication**

RS-232C and RS-422/485 serial ports and Ethernet are standard features. Additionally Profibus communication adapter is also supported. Custom interface designs can be downloaded via RS-232C, Ethernet and USB communication and by using USB or CF Card memory.

- **Data storage**

HCiX support CF Card and USB memory interface to log high capacity data. The logged data can be analyzed and printed via CF Viewer application program. (CF Viewer is supplied as standard)

- **Multi-Language Support** Language

selection can be made on screen. Choices include English/Korean or English/Chinese

- **HCiX Designer**

HCiX Designer software is offered as standard package. Custom designed graphics can be variables, and those variables can be selected without register addressing.

- **Various Objects (Tags)**

HCiX designer offers wide verity of design tools such as numeral, lamp, message, alarm, keypad, graph, animation, window etc. It makes the design of displays (Monitoring / Operating) a breeze.

Specifications

MODEL	HCiX 05 - ME	HCiX 05 - TE	HCiX 08 - TE
Screen Size	5.7"	5.7 "	8.4 "
Resolution	320 x 240	320 x 240	800 x 600
LCD Color	Mono Blue 16 Levels	TFT 65,536 Colors	TFT 65,536 Colors
Brightness	260 cd / m ²	450 cd / m ²	350 cd / m ²
Touch Type	Analog	Analog	Analog
Touch Cell	320 x 240	320 x 240	800 x 600
CPU	32 bit RISC	32 bit RISC	32 bit RISC
Flash Memory	6MB	6MB	26MB
Operating Power	DC 20 – 28 V	DC 20 – 28 V	DC 20 – 28 V
Power Consumption	Max. 15 W	Max. 15 W	Max. 15 W
Operating Temperature	0 – 50 °C	0 – 50 °C	0 – 50 °C
Storage Temperature	-10 – 60 °C	-10 – 60 °C	-10 – 60 °C
Ambient Humidity	Below 85% RH	Below 85% RH	Below 85% RH
Approvals	CE	CE	CE
Front Enclosure	IP65F	IP65F	IP65F
Insulation Resistance	10 MΩ	10 MΩ	10 MΩ
Ground	Class 3 Grounding Resistance Under 100Ω	Class 3 Grounding Resistance under 100Ω	Class 3 Grounding Resistance under 100Ω
Noise Endurance (impulse)	1000 Vp-p (pulse width 1μs)	1000 Vp-p (pulse width 1μs)	1000 Vp-p (pulse width 1μs)
Vibration Endurance (X-Y-Z 1G)	10 ≤ F ≤ 25 Hz	10 ≤ F ≤ 25 Hz	10 ≤ F ≤ 25 Hz
Internal Communication	RS-232C, USB	RS-232C USB	RS-232C USB
External Communication	RS-232C RS-422/485 Ethernet(10/100Base-T) -	RS-232C RS-422/485 Ethernet(10/100Base-T) -	RS-232C RS-422/485 Ethernet(10/100Base-T) Profibus (Option)
Data storages	Compact Flash Memory USB Storage	Compact Flash Memory USB Storage	Compact Flash Memory USB Storage
Printer	Roll Printer Print with USB port(PCL Level 3 Language)	Roll Printer Print with USB port(PCL Level 3 Language)	Roll Printer Print with USB port(PCL Level 3 Language)

Specifications

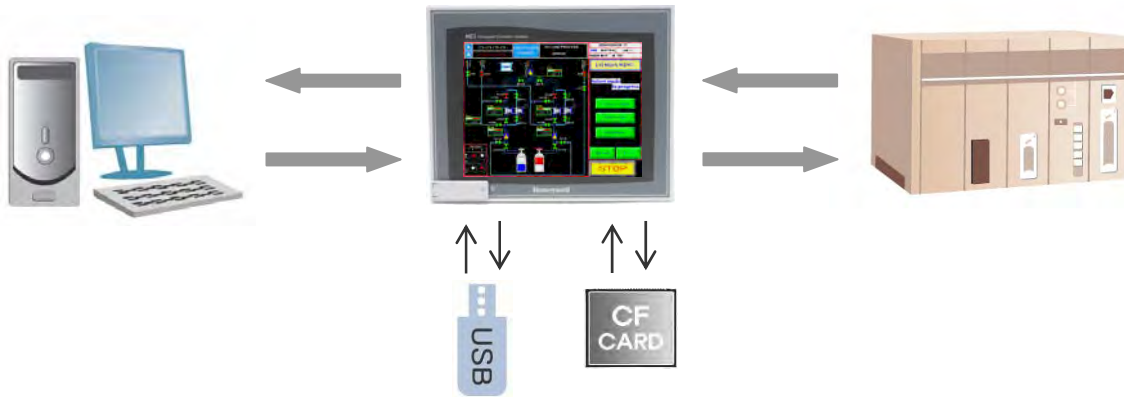
MODEL	HCiX 10 - TE	HCiX 12 - TE	HCiX 15 - TE
Screen Size	10.4"	12.1 "	15.0 "
Resolution	800 x 600	800 x 600	1024 x 768
LCD Color	TFT 65,536 Colors	TFT 65,536 Colors	TFT 65,536 Colors
Brightness	400 cd / m ²	380 cd / m ²	350 cd / m ²
Touch Type	Analog	Analog	Analog
Touch Cell	800 x 600	800 x 600	1024 x 768
CPU	32 bit RISC	32 bit RISC	32 bit RISC
Flash Memory	26MB	26MB	26MB
Operating Power	AC 85 – 264 V	AC 85 – 264 V	AC 85 – 264 V
Power Consumption	Max. 20 W	Max. 20 W	Max. 25 W
Operating Temperature	0 – 50 °C	0 – 50 °C	0 – 50 °C
Storage Temperature	-10 – 60 °C	-10 – 60 °C	-10 – 60 °C
Ambient Humidity	Below 85% RH	Below 85% RH	Below 85% RH
Approvals	CE	CE	CE
Front Enclosure	IP65F	IP65F	IP65F
Insulation Resistance	10 MΩ	10 MΩ	10 MΩ
Ground	Class 3 Grounding Resistance under 100Ω	Class 3 Grounding Resistance under 100Ω	Class 3 Grounding Resistance under 100Ω
Noise Endurance (impulse)	1500 Vp-p (pulse width 1μs)	1500 Vp-p (pulse width 1μs)	1500 Vp-p (pulse width 1μs)
Vibration Endurance (X-Y-Z 1G)	10 ≤ F ≤ 25 Hz	10 ≤ F ≤ 25 Hz	10 ≤ F ≤ 25 Hz
Internal Communication	RS-232C USB	RS-232C USB	RS-232C USB
External Communication	RS-232C RS-422/485 Ethernet(10/100Base-T) Profibus (Option)	RS-232C RS-422/485 Ethernet(10/100Base-T) Profibus (Option)	RS-232C RS-422/485 Ethernet(10/100Base-T) Profibus (Option)
Data storages	Compact Flash Memory USB Storage	Compact Flash Memory USB Storage	Compact Flash Memory USB Storage
Printer	Roll Printer Print with USB port(PCL Level 3 Language)	Roll Printer Print with USB port(PCL Level 3 Language)	Roll Printer Print with USB port(PCL Level 3 Language)

CF Card and USB Memory Application

Data management system has been improved by using CF Card and USB Memory.

► Saving logged data

Data logging: Data logged to HCiX is saved to a CF Card or USB Memory as a CSV file format and can be edited in a program like Microsoft Excel.



USB Interface Application

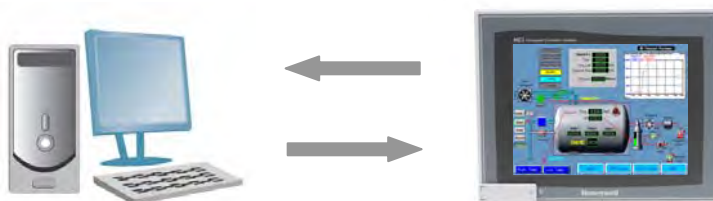
► Data transfer

A configuration file using PC, OS (Operating System), Character Font and Recipe can be saved to USB storage and the saved data can be transferred to other HCiX. The front USB port of HCiX supports much convenience for the above-mentioned functions.



► Download and Upload (USB Device)

A configuration file can be downloaded or uploaded by using USB Device port rapidly.



Connectable PLC List

Maker	Series	CPU type	CPU Port	Link (I/F Module)	Multi-Drop (1:N)	Ethernet (1:1)
Honeywell	HC900	C30/C50/C70/C70R●			●	●
	Master Logic	100R	●	◆	●	●
		200/50	●	◆	●	●
Modicon (Schneider)	Modbus	884/984A/984B/984X		◆	●	
		Slot-mount984		◆	●	
	TWIDO	LCAA 10DRF	●	◆	●	
		LCAA 16DRF	●	◆	●	
		LCAA 24DRF	●	◆	●	
		LMDA 20DTK	●	◆	●	
		LMDA 20DUK	●	◆	●	
		LMDA 20DRT	●	◆	●	
		LMDA 40DTK	●	◆	●	
		LMDA 40DUK	●	◆	●	
Modbus TCP					●	
Siemens	SIMATIC	S7-300/312/313/314/315/ 315-				●

Note 1)

1. . . e CPU port is a case using the CPU communication ports of PLC.
2. . . e Link(I/F Module) is a case using the communication interface card to be added to PLC slot.
3. . . e Multi-Drop is a case which the 1:N communication is available.

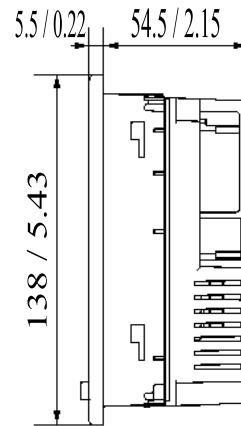
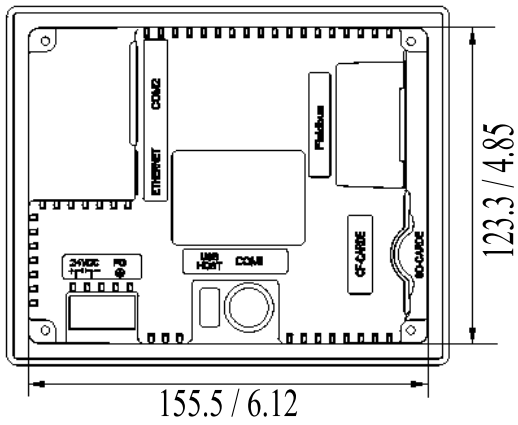
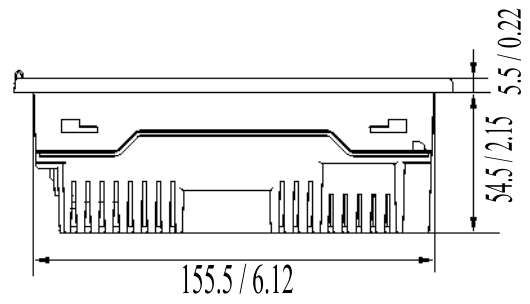
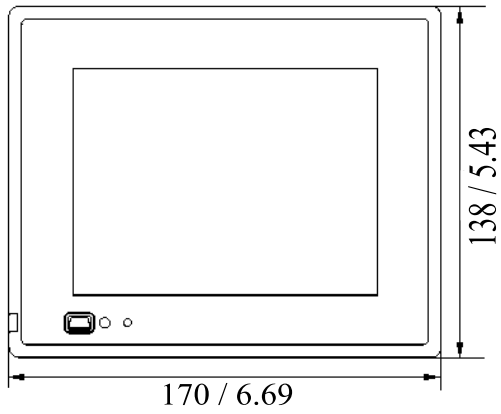
Note 2)

The connectable PLCs will be added continuously.

External Dimension

HCiX 05

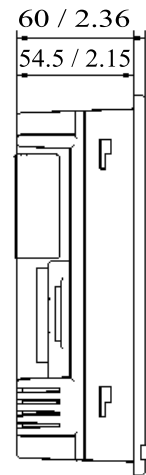
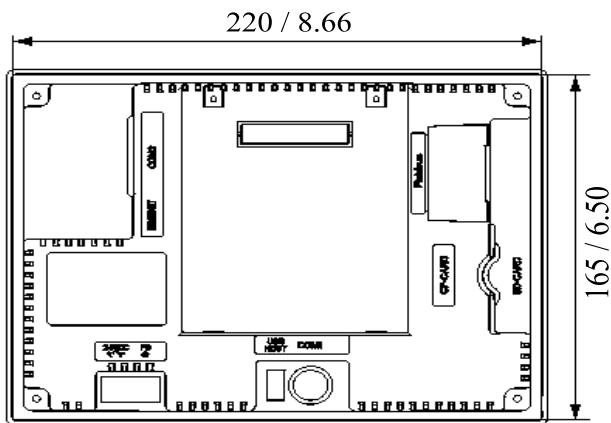
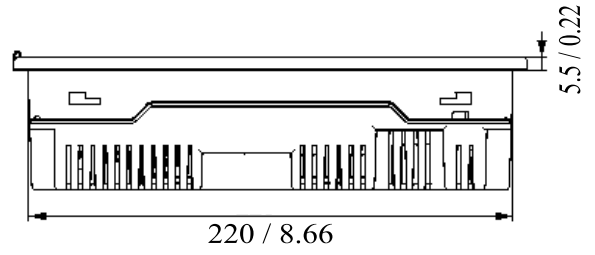
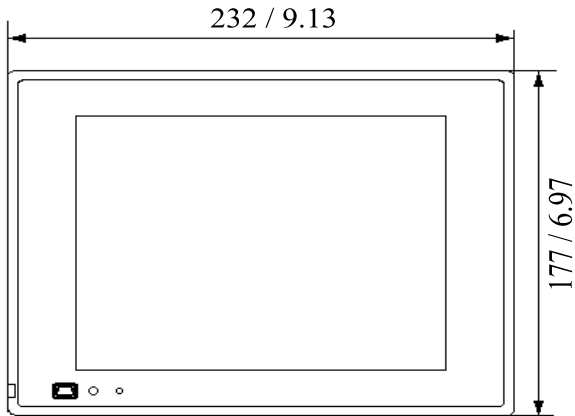
Unit : mm / inch



External Dimension

HCiX 08

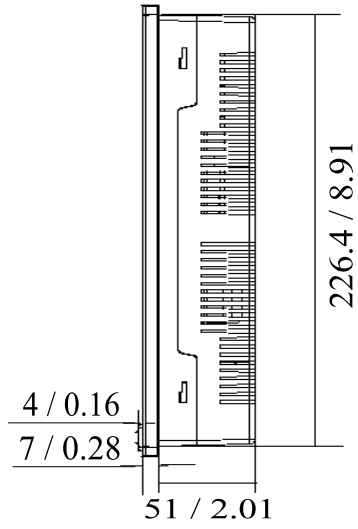
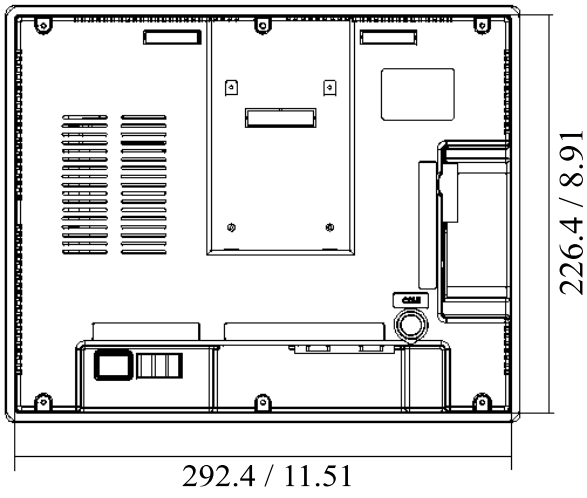
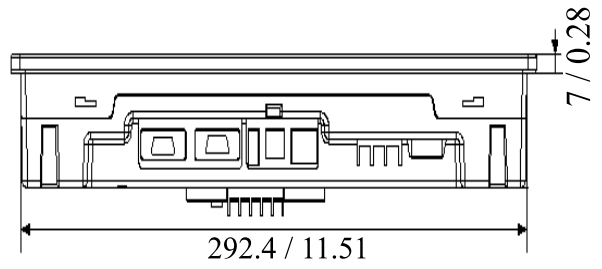
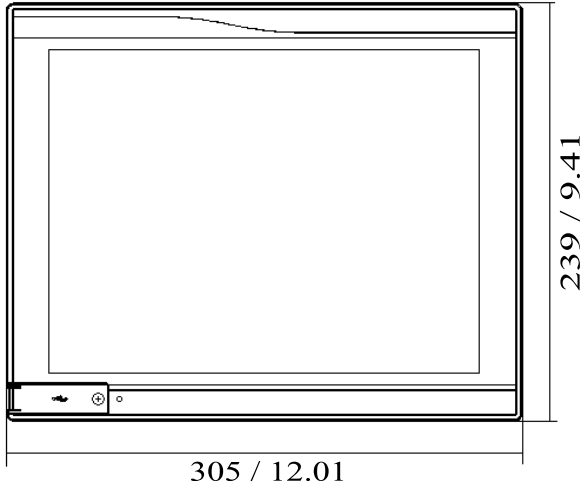
Unit : mm / inch



External Dimension

HCiX 10

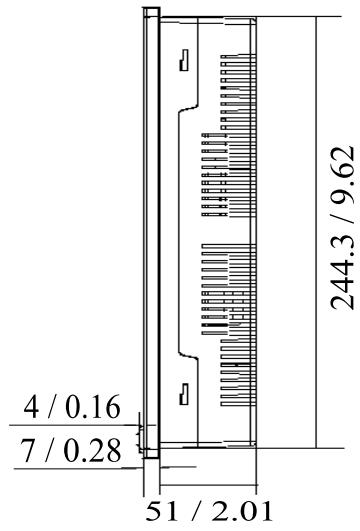
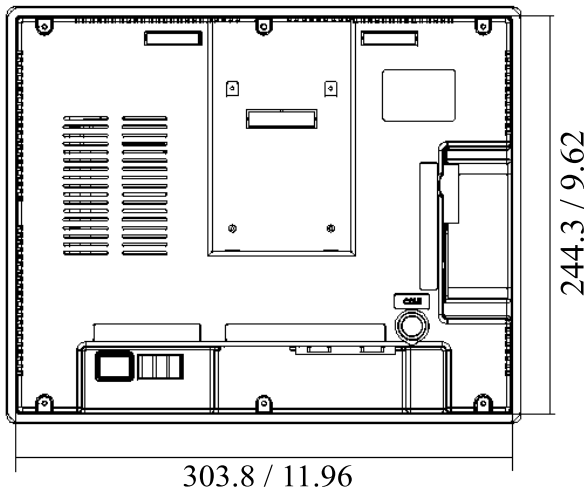
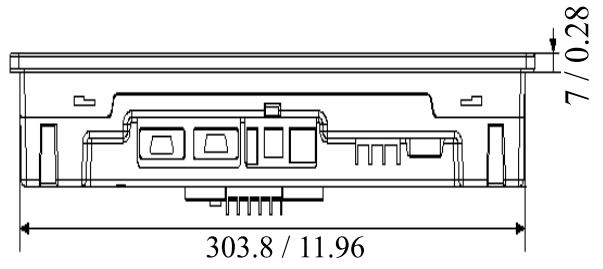
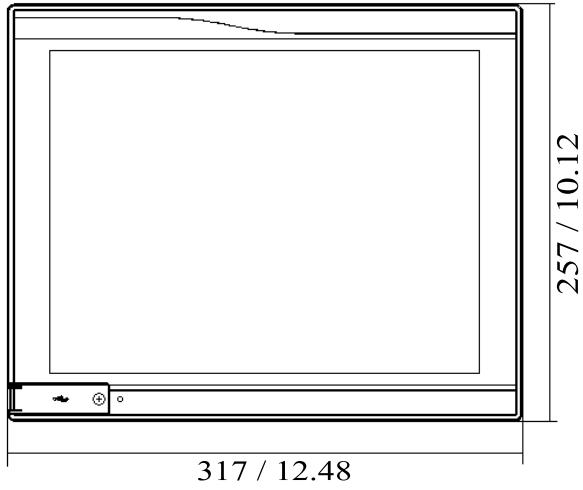
Unit : mm / inch



External Dimension

HCiX 12

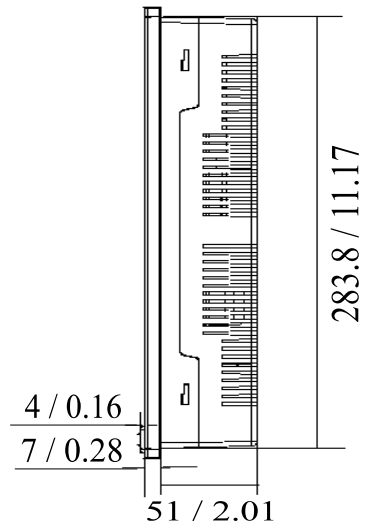
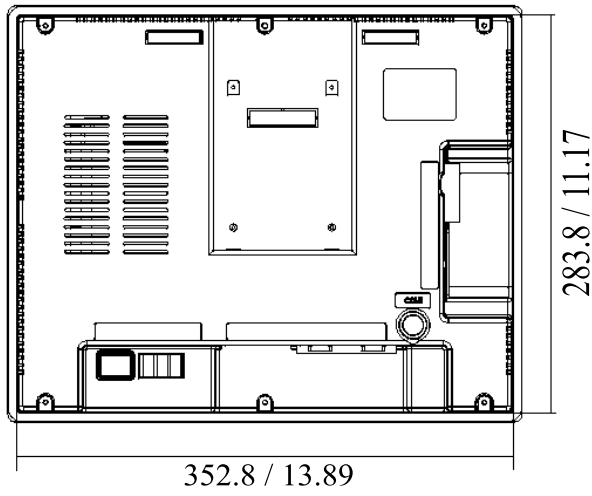
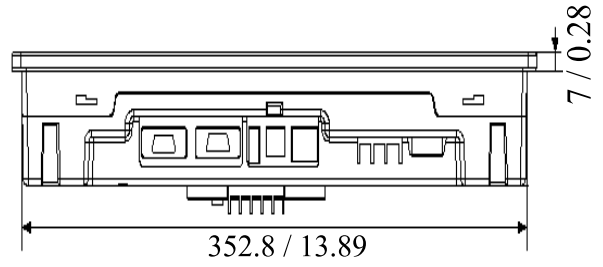
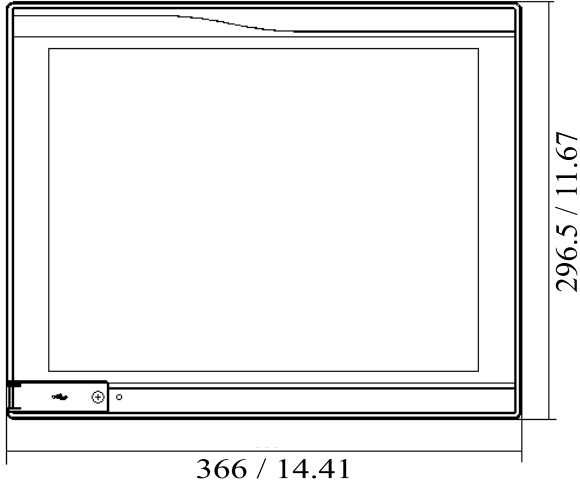
Unit : mm / inch



External Dimension

HCiX 15

Unit : mm / inch



Panel Cutout

MODEL	HCiX05	HCiX08	HCiX10	HCiX12	HCiX15
External Dimension					
W(mm) x H(mm) x D(mm)	170 x 138 x 60	232 x 177 x 60	305 x 239 x 58	316 x 257 x 58 12.44	366 x 296.5 x 58
W(inch) x H(inch) x D(inch)	6.69 x 5.43 x 2.36	9.13 x 6.97 x 2.36	12.01 x 9.41 x 2.28	x 10.12 x 2.28	14.41 x 11.67 x 2.28
Panel Cutout					
W (mm) x H (mm)	158 x 126	222 x 168	295 x 229	307 x 247	355 x 286
W(inch) x H(inch)	6.22 x 4.96	8.74 x 6.61	11.61 x 9.02	12.09 x 9.72	13.98 x 11.26
Weight(KG)	0.7	1.3	2.3	2.5	3.2

Model Number Interpretation

Instruction

- Select the desired key number. The arrow to the right marks the selection available
- Make the desired selections from Table I through Table III using the column below the proper arrow.

A dot (•) denotes the availability

Key Number HC iX - - -

KEY NUMBER

Description		Selection	Availability				
Display Size	5.7" ^(Note 1)	HCiX 05	↓				
	8.4"	HCiX 08		↓			
	10.4"	HCiX 10			↓		
	12.1"	HCiX 12				↓	
	15.0"	HCiX 15					↓

TABLE I - LCD TYPE & COMMUNICATION

LCD Type	MONO LCD	M _	•				
	TFT Color LCD	T _	•	•	•	•	•
Communication	RS-232C, RS-485, Ethernet, USB, CF Card	_ E	•	•	•	•	•

TABLE II - Options

Front USB Port	None	N _					
	Front USB Port	F _	•	•	•	•	•
Operating Power	20 to 24 Vdc	_ D	•	•			
	85 to 264 Vac	_ A			a	a	a

TABLE III - COMMUNICATION & LANGUAGE

Communication Options	None	N _	•	•	•	•	•
	Profibus	P _		•	•	•	•
	Devicenet	D _					
	CC-Link	C _					
Display Language	English, Chinese	_ C	•	•	•	•	•
	English, Korean	_ K	•	•	•	•	•

ORDERING INSTRUCTIONS

1. Orders may be placed only by model selection (not by part number)
2. Orders placed by model selection are systematically protected against incompatibility.

Restrictions	Description
a	UL approved units are restricted to DC power only

Note 1. Please check the spec for HCiX05.

По вопросам продаж и поддержки обращайтесь:

Алматы (7273)495-231
Ангарск (3955)60-70-56
Архангельск (8182)63-90-72
Астрахань (8512)99-46-04
Барнаул (3852)73-04-60
Белгород (4722)40-23-64
Благовещенск (4162)22-76-07
Брянск (4832)59-03-52
Владивосток (423)249-28-31
Владикавказ (8672)28-90-48
Владимир (4922)49-43-18
Волгоград (844)278-03-48
Вологда (8172)26-41-59
Воронеж (473)204-51-73
Екатеринбург (343)384-55-89
Иваново (4932)77-34-06
Ижевск (3412)26-03-58
Иркутск (395)279-98-46
Казань (843)206-01-48

Калининград (4012)72-03-81
Калуга (4842)92-23-67
Кемерово (3842)65-04-62
Киров (8332)68-02-04
Коломна (4966)23-41-49
Кострома (4942)77-07-48
Краснодар (861)203-40-90
Красноярск (391)204-63-61
Курган (3522)50-90-47
Курск (4712)77-13-04
Липецк (4742)52-20-81
Магнитогорск (3519)55-03-13
Москва (495)268-04-70
Мурманск (8152)59-64-93
Набережные Челны (8552)20-53-41
Нижний Новгород (831)429-08-12
Новокузнецк (3843)20-46-81
Новосибирск (383)227-86-73
Ноябрьск(3496)41-32-12

Омск (3812)21-46-40
Орел (4862)44-53-42
Оренбург (3532)37-68-04
Пенза (8412)22-31-16
Пермь (342)205-81-47
Петрозаводск (8142)55-98-37
Псков (8112)59-10-37
Ростов-на-Дону (863)308-18-15
Рязань (4912)46-61-64
Самара (846)206-03-16
Санкт-Петербург (812)309-46-40
Саранск (8342)22-96-24
Саратов (845)249-38-78
Севастополь (8692)22-31-93
Симферополь (3652)67-13-56
Смоленск (4812)29-41-54
Сочи (862)225-72-31
Ставрополь (8652)20-65-13
Сургут (3462)77-98-35

Сыктывкар (8212)25-95-17
Тамбов (4752)50-40-97
Тверь (4822)63-31-35
Тольятти (8482)63-91-07
Томск (3822)98-41-53
Тула (4872)33-79-87
Тюмень (3452)66-21-18
Улан-Удэ (3012)59-97-51
Ульяновск (8422)24-23-59
Уфа (347)229-48-12
Хабаровск (4212)92-98-04
Чебоксары (8352)28-53-07
Челябинск (351)202-03-61
Череповец (8202)49-02-64
Чита (3022)38-34-83
Якутск (4112)23-90-97
Ярославль (4852)69-52-93

Россия +7(495)268-04-70

Казахстан +7(7172)727-132

Киргизия +996(312)96-26-47

сайт: www.honeywell.nt-rt.ru || эл. почта: hwn@nt-rt.ru