

По вопросам продаж и поддержки обращайтесь:

Алматы (7273)495-231
Ангарск (3955)60-70-56
Архангельск (8182)63-90-72
Астрахань (8512)99-46-04
Барнаул (3852)73-04-60
Белгород (4722)40-23-64
Благовещенск (4162)22-76-07
Брянск (4832)59-03-52
Владивосток (423)249-28-31
Владикавказ (8672)28-90-48
Владимир (4922)49-43-18
Волгоград (844)278-03-48
Вологда (8172)26-41-59
Воронеж (473)204-51-73
Екатеринбург (343)384-55-89
Иваново (4932)77-34-06
Ижевск (3412)26-03-58
Иркутск (395)279-98-46
Казань (843)206-01-48

Калининград (4012)72-03-81
Калуга (4842)92-23-67
Кемерово (3842)65-04-62
Киров (8332)68-02-04
Коломна (4966)23-41-49
Кострома (4942)77-07-48
Краснодар (861)203-40-90
Красноярск (391)204-63-61
Курган (3522)50-90-47
Курск (4712)77-13-04
Липецк (4742)52-20-81
Магнитогорск (3519)55-03-13
Москва (495)268-04-70
Мурманск (8152)59-64-93
Набережные Челны (8552)20-53-41
Нижний Новгород (831)429-08-12
Новокузнецк (3843)20-46-81
Новосибирск (383)227-86-73
Ноябрьск(3496)41-32-12

Омск (3812)21-46-40
Орел (4862)44-53-42
Оренбург (3532)37-68-04
Пенза (8412)22-31-16
Пермь (342)205-81-47
Петрозаводск (8142)55-98-37
Псков (8112)59-10-37
Ростов-на-Дону (863)308-18-15
Рязань (4912)46-61-64
Самара (846)206-03-16
Санкт-Петербург (812)309-46-40
Саранск (8342)22-96-24
Саратов (845)249-38-78
Севастополь (8692)22-31-93
Симферополь (3652)67-13-56
Смоленск (4812)29-41-54
Сочи (862)225-72-31
Ставрополь (8652)20-65-13
Сургут (3462)77-98-35

Сыктывкар (8212)25-95-17
Тамбов (4752)50-40-97
Тверь (4822)63-31-35
Тольятти (8482)63-91-07
Томск (3822)98-41-53
Тула (4872)33-79-87
Тюмень (3452)66-21-18
Улан-Удэ (3012)59-97-51
Ульяновск (8422)24-23-59
Уфа (347)229-48-12
Хабаровск (4212)92-98-04
Чебоксары (8352)28-53-07
Челябинск (351)202-03-61
Череповец (8202)49-02-64
Чита (3022)38-34-83
Якутск (4112)23-90-97
Ярославль (4852)69-52-93

Россия +7(495)268-04-70

Казахстан +7(7172)727-132

Киргизия +996(312)96-26-47

сайт: www.honeywell.nt-rt.ru || эл. почта: hwn@nt-rt.ru

ПРОГРАММЫ

Технические характеристики на Fusion4 Portal

REMOTE CONTROL FOR FUSION4 DEVICES

Fusion4 Portal suite enrich the Fusion4 user experience, building on the capabilities of the most advanced family of hazardous area additive, blending and loading controllers.

Fusion4

Portal cuts through complexity to optimize your assets and drive value to the operation. Fusion4 Portal lets you improve efficiency, ensure quality, and eliminate risk – all straight out of the box. Install it, and take Fusion4 to the next level.



CONNECT WITH AUTO-DISCOVER

Connect up to 50 Fusion4 devices or 250 streams, all managed from a single PC. With support for serial and ethernet Comms, Portal's Auto-Discover feature ensures devices are quickly detected and communicated. Diagnostics feature let users view devices health, I/O status and other key indicators from the control room to ensure



CONFIGURE WITH EASE

Set up and service devices without leaving the control room. The Configure Module lets users upload, download, copy and paste device settings from the Portal dashboard. Enabling quick upload and storage of Config files and authorization databases, configure delivers rapid, secure commissioning and ongoing maintenance of Fusion4 devices to get set up quicker and stay online longer.



MONITOR WITH EFFECIENCY

The Monitor module with Live Viewer lets user view any specific device operation screen as it happens, at the click of the mouse.

Monitoring across devices in real time, it also provides an audit trail of every device transactions to radically simplify compliance and reconciliation. With alarm, comms monitoring, as well as a unified management panel for rapid identification of faults, increases safety and promotes efficiency to keep the operations moving.



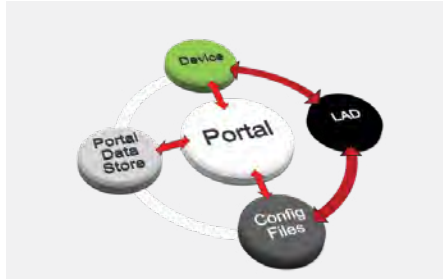
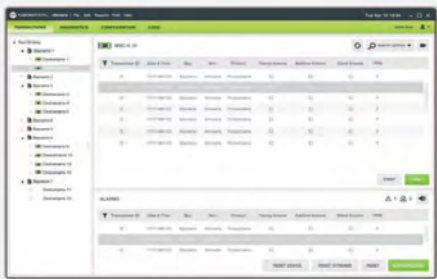
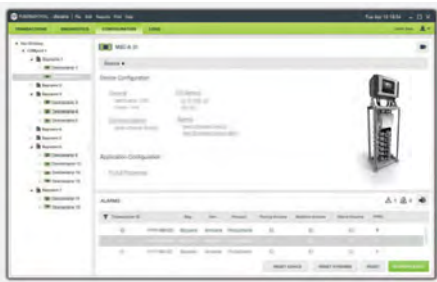
PRINT WITH COMPLIANCE

Ensure compliance, security, and traceability with Fusion4 Portal Print Module. Reduce waiting times, bottlenecks for drivers and slash the burden of paperwork by automated saving or printing of MID compliant bill of lading.

Simple, intuitive, and powerful, just like the Fusion4 family, Portal installs on a Windows PC to provide an immediate interface that continuously communicates with your Fusion4 Devices. Providing a single view of all your devices for centralized analysis and control.

THE ESSENTIAL CONNECTION

Simplify operating Fusion4 Device with Install, Connect, Configure, Monitor and Print BOL from the control room on a single, integrated dashboard for faster, smarter, and more efficient operations



HARDWARE AND SOFTWARE REQUIREMENTS

Minimum Hardware Requirements:

HARDWARE	DESCRIPTION
Processor	Intel® Xeon® Quad Core
RAM Memory	8GB
Hard Disk	250 GB hard disk, 7200 RPM (For Archiving and storage of BOLs)
External Disk Drive	CD-ROM / DVD drive
Video Graphics resolution	Resolution 1080 x 800 resolution
Keyboard	Standard US Keyboard
Mouse	USB Mouse
Serial port	One or two (recommended) RS-232 ports + RS-485 ports
USB port	Minimum of 3 USB ports
Network interface	10 or 100 Mbps integrated Ethernet Network Interface card
Printer	The printer should have detection for: <ul style="list-style-type: none">– Out-of-paper– Limited available ink– Communication failure between PC and printer The printer should support A4 or letter

Minimum Software Requirements:

SOFTWARE	DESCRIPTION
Operating system	Windows 10 Professional 64 Bit

TECHNICAL SPECIFICATIONS

APPROVALS
MID: OIML R117-1 Edition 2007 (E) Dynamic Measuring Systems for Liquids other than water
MEDIA
CD-ROM / Electronic Download
INSTALLATION
End User or Honeywell Trained personnel
SERIAL PROTOCOL
FlexConn RS485
ETHERNET PROTOCOL
FlexConn TCP/IP
LANGUAGES
English (US), English (UK), French, German, Spanish, Dutch, Chinese (simplified), Japanese, Polish, Italian, Portuguese, Swedish, Hindi
COMPATIBLE DEVICES
Fusion4 SSC-A, Fusion4 SSC-B, Fusion4 MSC-A and Fusion4 MSC-L
MAX CONNECTIONS
Up to 50 devices or Upto 250 streams
LICENSE REQUIREMENT
Email address required with order Hyperlink will be sent to license Portal during installation PC 'Physical MAC Address' will be required for License Email

CONNECT UP TO 250 STREAMS across 50 devices. Auto-discovery and diagnostics delivers a quick start-up and long lasting reliability.

LIVE VIEWER
View and monitor any device transaction across the site as it happens using the Monitor Module's Live Viewer tool.

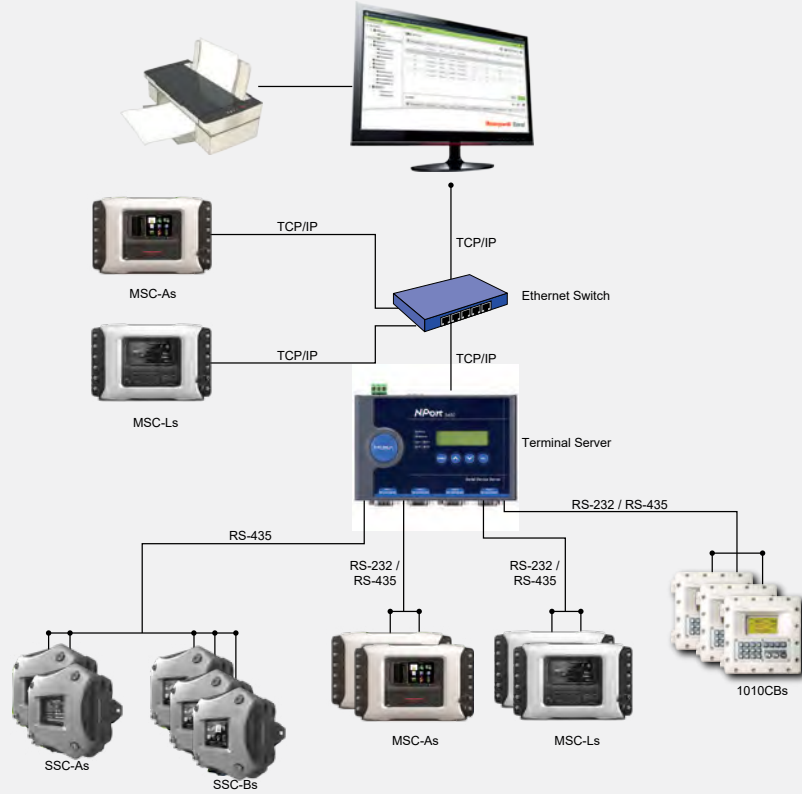
TECHNICAL FEATURES

	PRINT	MONITOR	CONFIGURE	OPC
SerialConnectivity	•	•	•	•
Ethernet Connectivity	•	•	•	•
Up to 10 Devices	•	•	•	•
Up to 50 Devices	•	•	•	•
Auto-Discover devices	•	•	•	•
Localization (13 languages)	•	•	•	
View device Diagnostic Dashboard	•	•	•	•
View device System Health	•	•	•	•
Construct site database	•	•	•	•
Fusion4 SSC-A Support	•	•	•	
Fusion4 SSC-B Support	•	•	•	
Fusion4 MSC-A Support	•	•	•	
Fusion4 MSC-L Support	•	•	•	
1010CB Support	•			•
Transaction Printing	•			
BOL Printing	•			
BOL Archiving	•			
BOL Customization	•			
MID Approved	•			
Print on Demand	•			
Scheduled Printing	•			
Summary Reports	•			
Transaction Monitoring		•		
Transaction Search		•		
Alarm Monitoring		•		
Alarm Management		•		
Comms Monitoring		•		
LIVE Viewer		•		
Event Log		•		
Create New Config Files			•	
Modify Config Files			•	
Send Config Files to Device			•	
Retrieve Config Files to Device			•	
Import/export Config Files to LAD			•	
Archive Config Files			•	
Create Authorisation Databases			•	
Modify Authorisation Databases			•	
Send Authorisation Databases			•	
Retrieve Authorisation Databases			•	
Archive Authorisation Databases			•	
Multi Client OPC Server - 1010CB				•

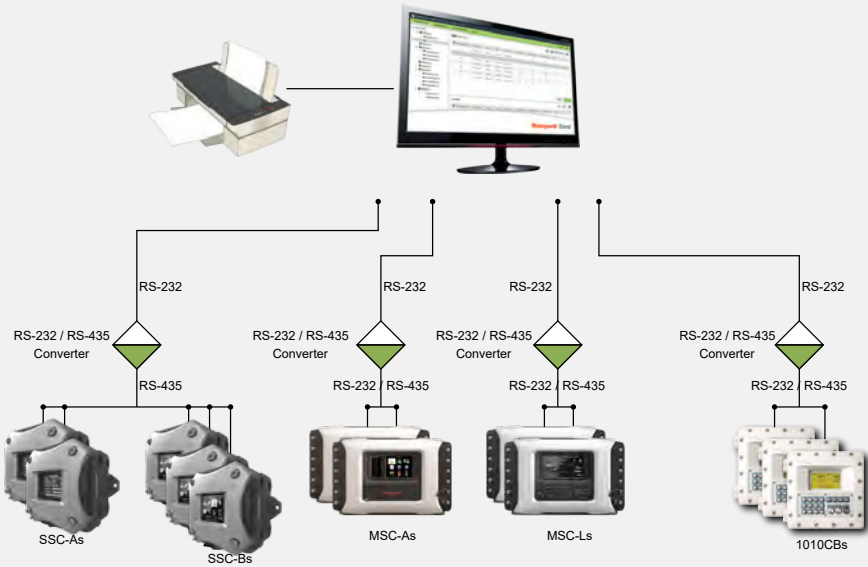
Set up and service devices without leaving the control room. The Configure Module lets users upload, download, copy and paste device settings from the Portal dashboard.

NETWORK TOPOLOGY DRAWINGS

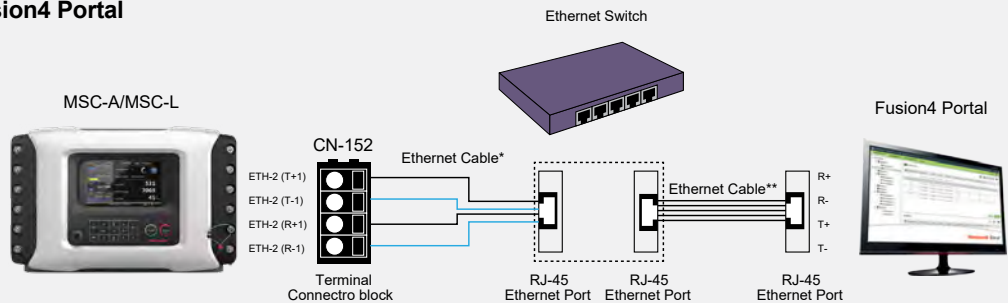
Ethernet network topology with terminal server



Serial network topology



T Ethernet Connection between MSC & Fusion4 Portal



* Shielded Twisted Pair Cable
 ** T-568A or T-568B Straight-Through Ethernet Cable

По вопросам продаж и поддержки обращайтесь:

Алматы (7273)495-231
Ангарск (3955)60-70-56
Архангельск (8182)63-90-72
Астрахань (8512)99-46-04
Барнаул (3852)73-04-60
Белгород (4722)40-23-64
Благовещенск (4162)22-76-07
Брянск (4832)59-03-52
Владивосток (423)249-28-31
Владикавказ (8672)28-90-48
Владимир (4922)49-43-18
Волгоград (844)278-03-48
Вологда (8172)26-41-59
Воронеж (473)204-51-73
Екатеринбург (343)384-55-89
Иваново (4932)77-34-06
Ижевск (3412)26-03-58
Иркутск (395)279-98-46
Казань (843)206-01-48

Калининград (4012)72-03-81
Калуга (4842)92-23-67
Кемерово (3842)65-04-62
Киров (8332)68-02-04
Коломна (4966)23-41-49
Кострома (4942)77-07-48
Краснодар (861)203-40-90
Красноярск (391)204-63-61
Курган (3522)50-90-47
Курск (4712)77-13-04
Липецк (4742)52-20-81
Магнитогорск (3519)55-03-13
Москва (495)268-04-70
Мурманск (8152)59-64-93
Набережные Челны (8552)20-53-41
Нижний Новгород (831)429-08-12
Новокузнецк (3843)20-46-81
Новосибирск (383)227-86-73
Ноябрьск(3496)41-32-12

Омск (3812)21-46-40
Орел (4862)44-53-42
Оренбург (3532)37-68-04
Пенза (8412)22-31-16
Пермь (342)205-81-47
Петрозаводск (8142)55-98-37
Псков (8112)59-10-37
Ростов-на-Дону (863)308-18-15
Рязань (4912)46-61-64
Самара (846)206-03-16
Санкт-Петербург (812)309-46-40
Саранск (8342)22-96-24
Саратов (845)249-38-78
Севастополь (8692)22-31-93
Симферополь (3652)67-13-56
Смоленск (4812)29-41-54
Сочи (862)225-72-31
Ставрополь (8652)20-65-13
Сургут (3462)77-98-35

Сыктывкар (8212)25-95-17
Тамбов (4752)50-40-97
Тверь (4822)63-31-35
Тольятти (8482)63-91-07
Томск (3822)98-41-53
Тула (4872)33-79-87
Тюмень (3452)66-21-18
Улан-Удэ (3012)59-97-51
Ульяновск (8422)24-23-59
Уфа (347)229-48-12
Хабаровск (4212)92-98-04
Чебоксары (8352)28-53-07
Челябинск (351)202-03-61
Череповец (8202)49-02-64
Чита (3022)38-34-83
Якутск (4112)23-90-97
Ярославль (4852)69-52-93

Россия +7(495)268-04-70

Казахстан +7(7172)727-132

Киргизия +996(312)96-26-47

сайт: www.honeywell.nt-rt.ru || эл. почта: hwn@nt-rt.ru