

### HPW7000 Hi-pHURITY WATER SYSTEM

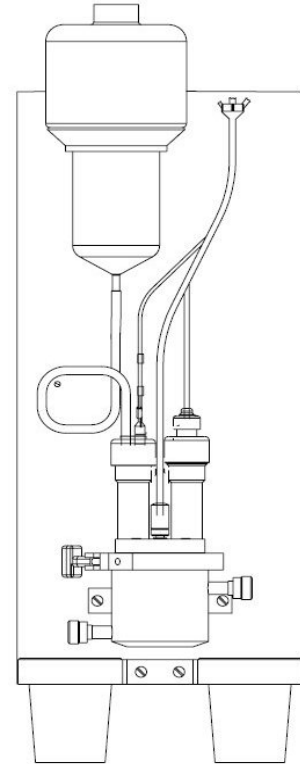
Honeywell Proprietary

#### HPW7000 Mounting Assembly Includes:

- Stainless Steel Flow Chamber with Electrode Mounting Cover
- 1/4" Inlet/Outlet Process Connections
- Glass Measuring Electrode (P/N 31117390-501) or Pt ORP (P/N 50044238-501 or 50044238-502)
- Flowing Reference Electrode (P/N 51198296-501)
- Combined Temperature Sensor/Solution Ground
- One Bottle of Reference Solution
- Flowing Reference Reservoir and Tubing

#### Options Available:

- Panel Mounting
- 20 Foot (6,10 meters) or 36 Foot (10,97 meters) Cables for connection to UDA2182
- 1.5 Foot (0,46 meters) or 36 Foot (10,97 meters) cables for connection to pH DirectLine Modules
- Stainless Steel Electrode Covers panel Mounting
- The pH assembly can be used with the remote mount DirectLine transmitter DL421-X-4-B-XXXX (see 51-52-16-71 / DL1-2); and the UDA2182
- The ORP assembly can only be used with the UDA2182
- See Product Spec 70-82-03-28 for detail



#### Instructions

- Select the desired key number. The arrow to the right marks the selection available
  - Make one selection from Tables using the column below the proper arrow
- A dot (•) denotes unrestricted availability.

Key Number      I      II      III      IV      V  
 -  -  -  -  -

**List Price** equals  
the sum of all  
prices for all  
selections made.

KEY NUMBER	Description	Selection	Availability	U.S.\$
	Hi-pHurity pH Measurement System	HPW7000	↓	1,565

**TABLE I - Electrode System**

Glass Measuring, Flowing Reference, Temp/Counter with Stainless Steel Covers	01	•	200
Platinum ORP Measuring, Flowing Reference, Temp/Counter with Stainless Steel Covers	03	•	215

По вопросам продаж и поддержки обращайтесь:

Астана +7(7172)727-132, Волгоград (844)278-03-48, Воронеж (473)204-51-73, Екатеринбург (343)384-55-89,  
 Казань (843)206-01-48, Краснодар (861)203-40-90, Красноярск (391)204-63-61, Москва (495)268-04-70,  
 Нижний Новгород (831)429-08-12, Новосибирск (383)227-86-73, Ростов-на-Дону (863)308-18-15, Самара (846)206-03-16,  
 Санкт-Петербург (812)309-46-40, Саратов (845)249-38-78, Уфа (347)229-48-12

Единый адрес: hwn@nt-rt.ru  
 www.honeywell.nt-rt.ru

**TABLE II - Electrode Cable Lengths**

	Selection	Availability	U.S.\$
20 Foot (6,10 meters) Cables for UDA2182	020	•	84
36 Foot (10,97 meters) Cables for UDA2182	036	•	142
1.5 Foot (0,46 meters) Cables for DL421	15D	c	84
36 Foot (10,97 meters) Cables for DL421	36D	c	142

**TABLE III - Mounting Panel**

	Selection	Availability	U.S.\$
No Mounting Panel	00	•	0
Mounting Panel Supplied	01	•	142

**TABLE IV - OPTIONS**

		Selection	Availability	U.S.\$
Tagging	None	00 __	•	0
	Linen Customer I.D. Tag - 3 lines, 22 characters per line	LT __	•	20
	Stainless Steel Customer I.D. Tag - 3 lines, 22 characters/line	SS __	•	35
Certifications	None	__ 00	•	0
	Calibration & Conformance	__ CC	•	55

**TABLE V - Factory Use**

	Selection	Availability	U.S.\$
Factory Use Only	000	•	0

**RESTRICTIONS**

Restriction Letter	Available Only With		Not Available With	
	Table	Selection	Table	Selection
c	I	01		

# Series HPW7000 Accessories

# Accessories and Replacement Parts

Description	Part Number
Directions - HPW7000 Electrode Assembly	70-82-25-75
pH Buffer Solutions (one pint)	
4.01 pH	31103001-501
6.86 pH	31103002-501
9.18 pH	31103003-501
Glass Measuring Electrode	31117390-501
Pt ORP Measuring Electrode - 20 feet integral Cable	50044238-501
Pt ORP Measuring Electrode - 36 feet integral Cable	50044238-502
Flowing Reference Electrode	51198296-501
Temperature Sensor/Solution Ground - 36 Ft. (10,97 meters) Integral Cable	51198259-501
Temperature Sensor/Solution Ground - 20 Ft. (6,10 meters) Integral Cable	51198259-502
Temperature Sensor/Solution Ground(DL421) - 18 In. (457,20 mm)	51198259-503
Temperature Sensor/Solution Ground(DL421) - 36 Ft. (10,97 meters)	51198259-504
Flow Chamber Cover Gasket	51198266-501
Electrode O-Rings (2 Required per Electrode)	30669860-511
Temperature Sensor/Solution Ground O-Ring	30669860-512
Temperature Sensor/Solution Ground Bushing	51204751-501
Inlet/Outlet Fitting O-Ring	30669860-513
Calibration Cup	51204762-501
Reference Solution Reservoir	51204774-501
Reference Solution	51204752-501
Washer for ORP Electrode Cover Cap	50045504-501
Cables	
Measuring Electrode - 36 Foot (10,97 meters)	51204765-501
Measuring Electrode - 20 Foot (6,10 meters)	51204765-502
Measuring Electrode (DL421) - 18 Inches (457,20 mm)	51204765-503
Measuring Electrode (DL421) - 36 Foot (10,97 meters)	51204765-504
Reference Electrode - 36 Foot (10,97 meters)	51204768-501
Reference Electrode - 20 Foot (6,10 meters)	51204768-502
Reference Electrode (DL421) - 18 Inches (457,20 mm)	51204768-503
Reference Electrode (DL421) - 36 Foot (10,97 meters)	51204768-504
316 SS Mounting Panel	51204759-501
Flow Chamber Clamp	50024077-501

По вопросам продаж и поддержки обращайтесь:

Астана +7(7172)727-132, Волгоград (844)278-03-48, Воронеж (473)204-51-73, Екатеринбург (343)384-55-89,  
 Казань (843)206-01-48, Краснодар (861)203-40-90, Красноярск (391)204-63-61, Москва (495)268-04-70,  
 Нижний Новгород (831)429-08-12, Новосибирск (383)227-86-73, Ростов-на-Дону (863)308-18-15, Самара (846)206-03-16,  
 Санкт-Петербург (812)309-46-40, Саратов (845)249-38-78, Уфа (347)229-48-12

Единый адрес: [hwn@nt-rt.ru](mailto:hwn@nt-rt.ru)

[www.honeywell.nt-rt.ru](http://www.honeywell.nt-rt.ru)