

## VersaFlow Coriolis 200

34-VF-03-12  
, 2009

VersaFlow Coriolis 200

VersaFlow Coriolis 200

VersaFlow Coriolis 200,  
TWC9000



1 – VersaFlow Coriolis 200.

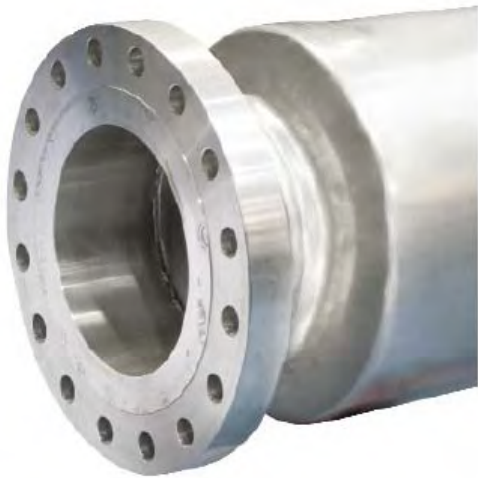
- 1.
- 2.
3. 316L 304L
- 4.
- 5.

По вопросам продаж и поддержки обращайтесь:  
Астана +7(7172)727-132, Волгоград (844)278-03-48, Воронеж (473)204-51-73, Екатеринбург (343)384-55-89,  
Казань (843)206-01-48, Краснодар (861)203-40-90, Красноярск (391)204-63-61, Москва (495)268-04-70,  
Нижний Новгород (831)429-08-12, Новосибирск (383)227-86-73, Ростов-на-Дону (863)308-18-15,  
Самара (846)206-03-16, Санкт-Петербург (812)309-46-40, Саратов (845)249-38-78, Уфа (347)229-48-12  
Единый адрес: [hwn@nt-rt.ru](mailto:hwn@nt-rt.ru)  
[www.honeywell.nt-rt.ru](http://www.honeywell.nt-rt.ru)



VersaFlow Coriolis 200 –

- 2,300,000 /
- 
- 



VersaFlow Coriolis.

- PN 100.
- (S100)



VersaFlow Coriolis 200

- 
- 
- 
- 
- 

&



VersaFlow Coriolis 200

- TWC9000
- " " .
- TWC9000,
- « TWC9000 »



VersaFlow Coriolis 200

TWC9000 F, TWC9000 W TWC9000 R.

- TWC9000
- 300m –
- « »

**TWC010**

VersaFlow Coriolis 200

TWC010

MODBUS.



- TWC9000.
- - MODBUS.
- MODBUS.



Honeywell

- 
- 
- 
- 
- 

Please

« »

Honeywell Field Solutions.  
100

	<b>S100</b>	<b>S150</b>	<b>S250</b>
--	-------------	-------------	-------------

	( / )	420,000	900,000	2,300,000
	( / )	11,000	25,000	60,000
( ) <sup>r</sup>	( / )	220,000	500,000	1,200,000
( - 1000kg/m <sup>3</sup> )	( <sup>3</sup> /)	11	25	60
	( <sup>3</sup> /)	220	500	1200

	19"
Modbus	Modbus

	±0.1% +
	±0.5% +
	0.05% + ( )
S100	< 7 /
S150	< 18 /
S250	< 50 /

	+20°C
	1
	0.0004% 1°C
	0.0002% 1
	400...3000 / <sup>3</sup>
	±2 / <sup>3</sup> ( DN15: ±5 / <sup>3</sup> )
( )	±0.5 / <sup>3</sup>
	±1°C

	-40...+60°C
	: 65°C
	/ .
	-40...+55°C
	-40...+65°C
	-45...+130°C
S100) (	-20...+130°C
	<b>20°C</b>
FM	-1...140
CRN / ASME B31.3	-1...100
CRN	> 100
	0.0004% 1°C
	0.0002% 1

( )	
( )	
( EN 60529)	IP 67, NEMA 4X

	318L (1.4462)
	318L (1.4462)
	AISI 316 / 316L (1.4401 / 1.4404)
	318L (1.4462) ( NACE)
	AISI 304 / 304L (1.4301 / 1.4307)
	AISI 316 / 316L (1.4401 / 1.4404)
	316L (1.4404)
	:
	316L (1.4409)
( )	( )
	316 (1.4401)

DIN	DN100...300 / PN16...160
ASME	4...12" / ASME 150...1500
JIS	100A / 10...20K
( S100)	
Tri-clover	4"
Tri-clamp DIN 32676	DN100
Tri-clamp ISO 2852	4"
DIN 11864-2 Form A	DN100
DIN 11851	DN100
SMS	4"
IDF / ISS	4"
RJT	4"

/	/

(EMC) CE	Namur NE 21/5.95
	89/336/EEC (EMC)
	72/73/EEC (Low Voltage Directive)
Factory Mutual / CSA	Class I, Div 1 groups A, B, C, D
	Class II, Div 1 groups E, F, G
	Class III, Div 1 hazardous areas
	Class I, Div 2 groups A, B, C, D
	Class II, Div 2 groups F, G
	Class III, Div 2 hazardous areas
ANSI / CSA (Dual Seal)	12.27.901-2003
	3A 28-03
	ASME BPE
	MID 2004/22/EC MI-005
<b>ATEX (acc. 94/9/EC)</b>	
<b>Coriolis 200</b>	<b>TW 9000C</b>
Ex d	II 2 G Ex d [ib] IIC T6...T1
	II 2 D Ex tD A21 IP6x T160°C
Ex d	II 2 G Ex de [ib] IIC T6...T1
	II 2 D Ex tD A21 IP6x T160°C
<b>Coriolis 200 TW 9000C</b>	
Ex d	II 2(1) G Ex d [ia/ib] IIC T6...T1
	II 2(1) D Ex tD [iaD] A21 IP6x T160°C
Ex d	II 2(1) G Ex de [ia/ib] IIC T6...T1
	II 2(1) D Ex tD [iaD] A21 IP6x T160°C
<b>Coriolis 200 TWC010</b>	II 2 G Ex ib IIC T6...T1
	II 2 D Ex ibD 21 T165 °C

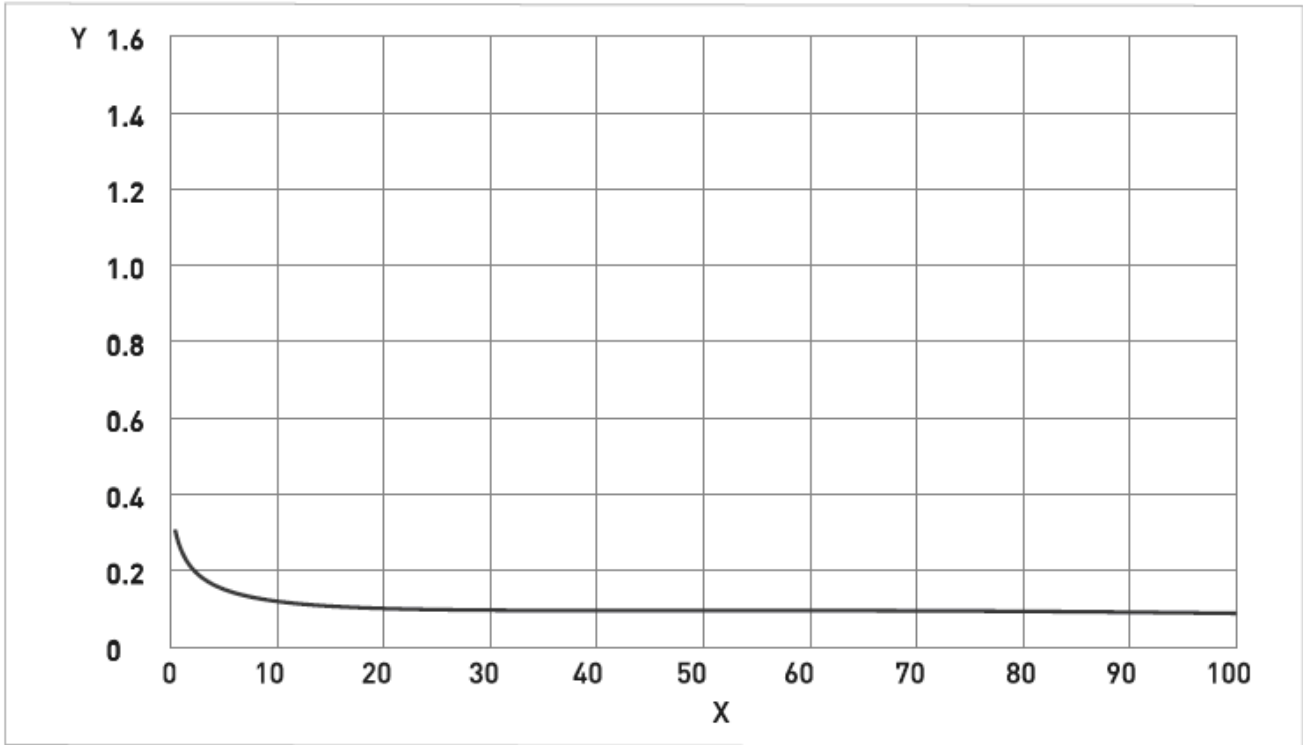


ATEX (acc. 94/9/EC)

	Tamb °C	Tm °C		°C
Coriolis 200 TWC010 / /	40	65	T6	T80
		75	T5	T95
		110	T4	T130
		130	T3-T1	T150
	65	75	T5	T95
		110	T4	T130
130		T3-T1	T150	
Coriolis 200 TWC9000 ( / / ) / /	40	50	T6	T80
		65	T5	T95
		100	T4	T130
		130	T3-T1	T160
	50	65	T5	T95
		100	T4-T1	T130
	60	60	T4-T1	T90
	65 (1)	65	T5	T95
Coriolis 200 TWC9000 ( / / ) / /	40	50	T6	T80
		65	T5	T95
		100	T4	T130
		120	T3-T1	T150
	50	65	T5	T95
		75	T4-T1	T130
	55	55	T5-T1	T85

(1) / .

		S100	S150	S250
20°C	40	150	650	550
	100	100	120	60
	150			
130°C	32	150	280	400
	80	60	50	50
	115			
( )				
130°C	10	5	-	-



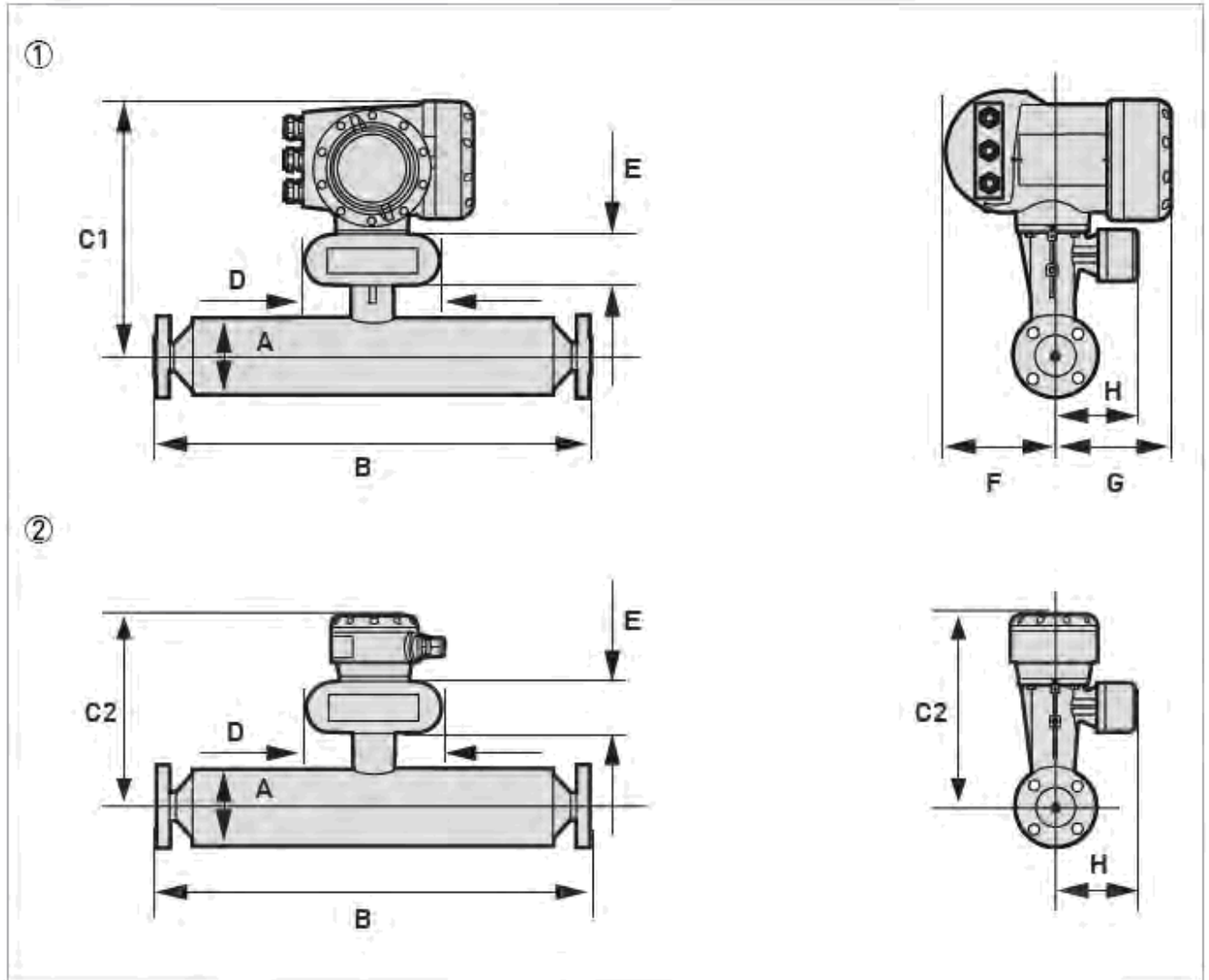
Y(%) – , (%) –

).

:  
: +20°C  
: 1

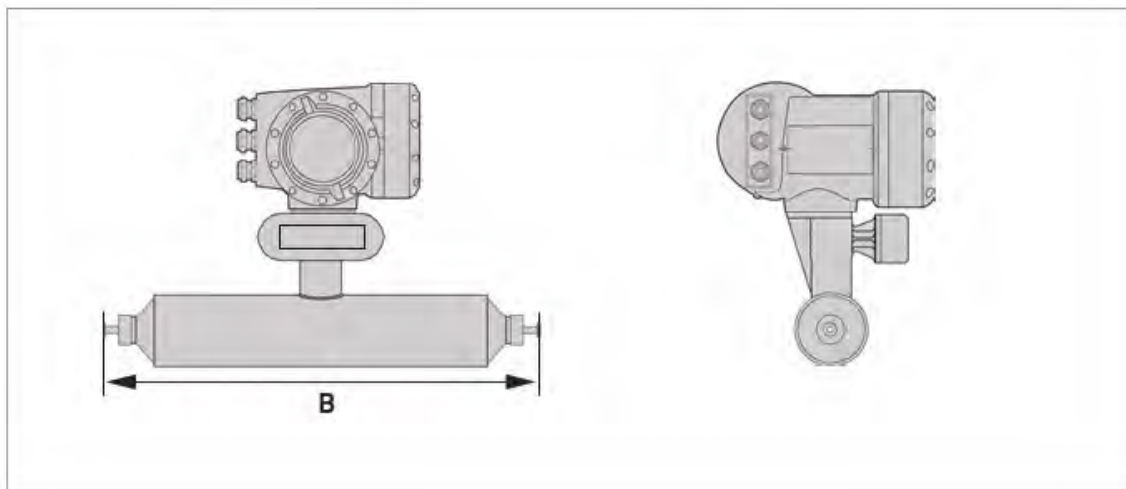
( )	S100	S150	S250
) (	84.8	211.5	444.5
) (	90.1	216.8	449.8
	80.8	207.5	440.5
	81.7	208.4	441.4

( )



	( )		
	S100	S150	S250
A	219 ±5 (8.6 ±0.2)	323 ±5 (12.7 ±0.2)	406 ±5 (16 ±0.2)
C1 ( )	370 ±5 (14.6 ±0.2)	422 ±5 (16.6 ±0.2)	463 ±5 (18.2 ±0.2)
C2 ( )	293 ±5 (11.5 ±0.2)	345 ±5 (13.6 ±0.2)	386 ±5 (15.2 ±0.2)
D	160 (6.3)		
E	60 (2.4)		
F	123.5 (4.9)		
G	137 (5.4)		
H	98.5 (3.9)		

	B ( )		
	S100	S150	S250
<b>PN40</b>			
DN100	1310 (51.6)		
DN150	1330 (52.6)	1621 (64)	
DN200		1647 (65.5)	
DN250			2030 (80.7)
DN300			2050 (82.3)
<b>PN63</b>			
DN100	1336 (53.2)		
DN150	1370 (55.5)	1661 (67)	
DN200		1691 (65)	
DN250			2070 (84.8)
DN300			2100 (81.5)
<b>PN100</b>			
DN100	1360 (53.9)		
DN150	1410 (55.5)	1701 (66.6)	
DN200		1731 (68.3)	
DN250			1977 (83.5)
DN300			2160 (85.9)
<b>ASME 150</b>			
4"	1334 (52.5)		
6"	1358 (53.4)	1649 (65)	
8"		1675 (66)	
10"			2024 (80.4)
12"			2050 (81.5)
<b>ASME 300</b>			
4"	1352 (53.2)		
6"	1378 (54.2)	1669 (65.8)	
8"		1695 (66.8)	
10"			2056 (81.7)
12"			2082 (82.7)
<b>ASME 600</b>			
4"	1398 (54.9)		
6"	1428 (56.1)	1719 (67.8)	
8"		1428 (69)	
10"			2138 (85)
12"			2146 (85.2)
<b>ASME 900</b>			
4"	1422 (55.2)		
6"	1474 (57.9)	1765 (69.5)	
8"		1474 (71.2)	
10"			2202 (87.5)
12"			2234 (88.7)
<b>JIS 10K</b>			
100A	1332 (52.5)		
<b>JIS 20K</b>			
100A	1332 (52.5)		

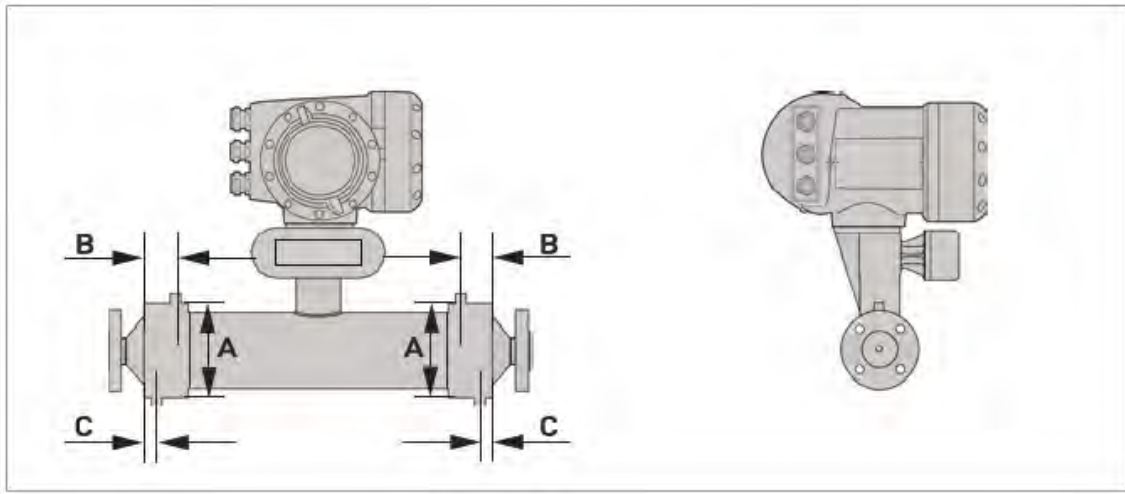


:

	B ( )		
	S100	S150	S250
<b>Tri-clover</b>			
4"	1223 (48)		
<b>Tri-clamp DIN 32676</b>			
DN100	1236 (48.7)		
<b>Tri-clamp ISO 2852</b>			
4"	1223 (48)		
<b>DIN 11864-2 Form A</b>			
DN100	1296 (51)		

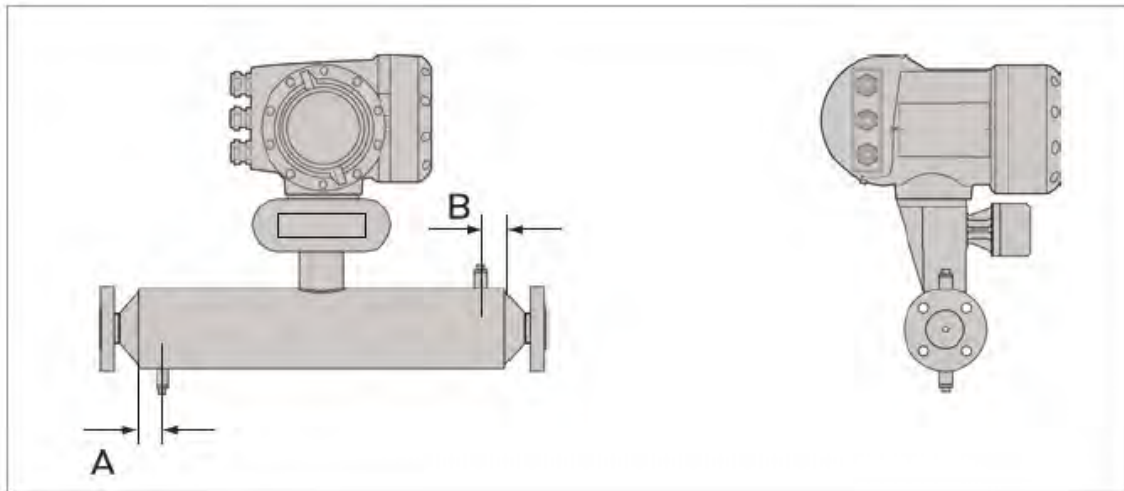
: ( )

	B ( )		
	S100	S150	S250
<b>DIN 11851</b>			
DN100	1288 (50.1)		
<b>SMS</b>			
4"	1236 (48.7)		
<b>IDF/ISS</b>			
4"	1223 (48)		
<b>RJT</b>			
4"	1234 (48.6)		

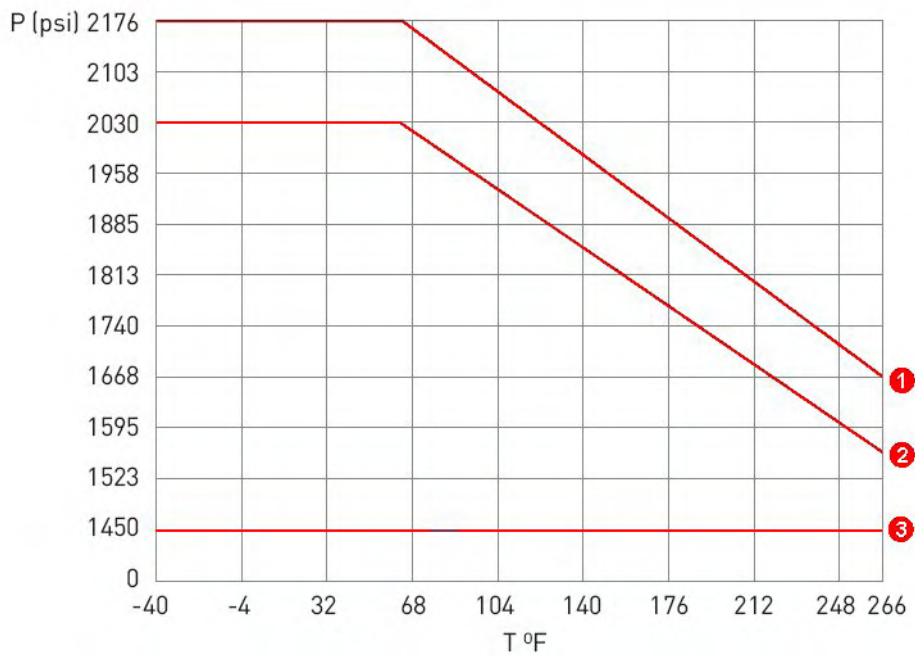
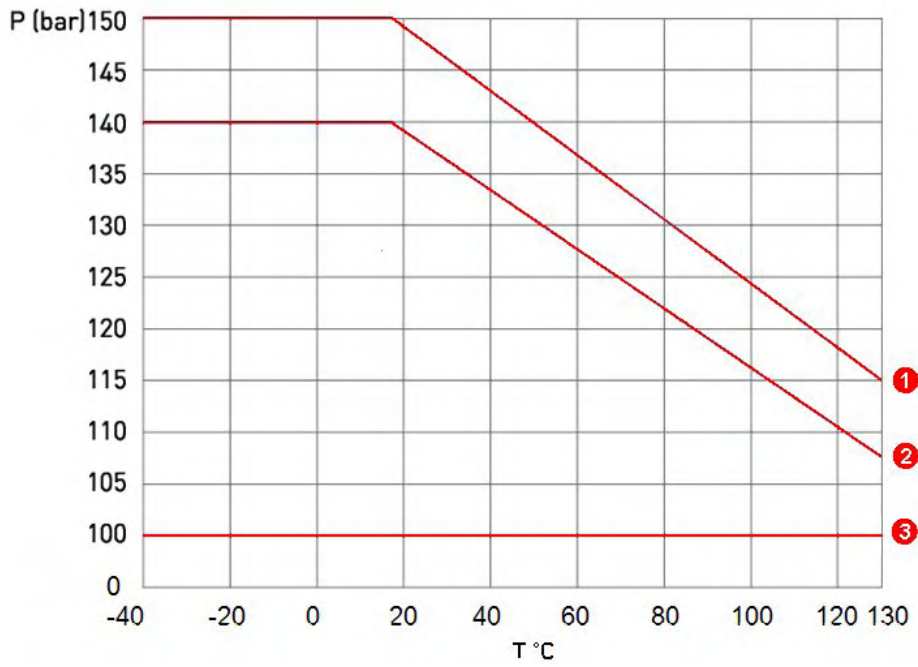


	( )		
	S100	S150	S250
	25 (ERMETO) 1" (NPTF)		
A	254 ±2.5 (10 ±0.1)	355 ±2.5 (14 ±0.1)	444 ±2.5 (17.5 ±0.06)
B	178 ±2.0 (7 ±0.08)	228 ±2.0 (9 ±0.08)	208 ±2.0 (8.2 ±0.08)
C	28 ±2.0 (1.1 ±0.08)	28 ±2.0 (1.1 ±0.08)	6.5 ±2.0 (0.25 ±0.08)

( )



	( )		
	S100	S150	S250
A	70 ±1.0 (2.75 ±0.04)	100 ±1.0 (4.0 ±0.04)	
B	70 ±1.0 (2.75 ±0.04)	100 ±1.0 (4.0 ±0.04)	



- 1.
- 2.
- 3.

, PED  
, FM  
, CRN & CSA

- , G.4.1, DIN 14EO EN 1092-1 2007
- , 2, ASME 2.2 ASME B16.5 2003
- , 1 1, JIS 022a JIS 2220: 2001

•

!

По вопросам продаж и поддержки обращайтесь:

Астана +7(7172)727-132, Волгоград (844)278-03-48, Воронеж (473)204-51-73, Екатеринбург (343)384-55-89,  
Казань (843)206-01-48, Краснодар (861)203-40-90, Красноярск (391)204-63-61, Москва (495)268-04-70,  
Нижний Новгород (831)429-08-12, Новосибирск (383)227-86-73, Ростов-на-Дону (863)308-18-15,  
Самара (846)206-03-16, Санкт-Петербург (812)309-46-40, Саратов (845)249-38-78, Уфа (347)229-48-12

Единый адрес: [hwn@nt-rt.ru](mailto:hwn@nt-rt.ru)

[www.honeywell.nt-rt.ru](http://www.honeywell.nt-rt.ru)